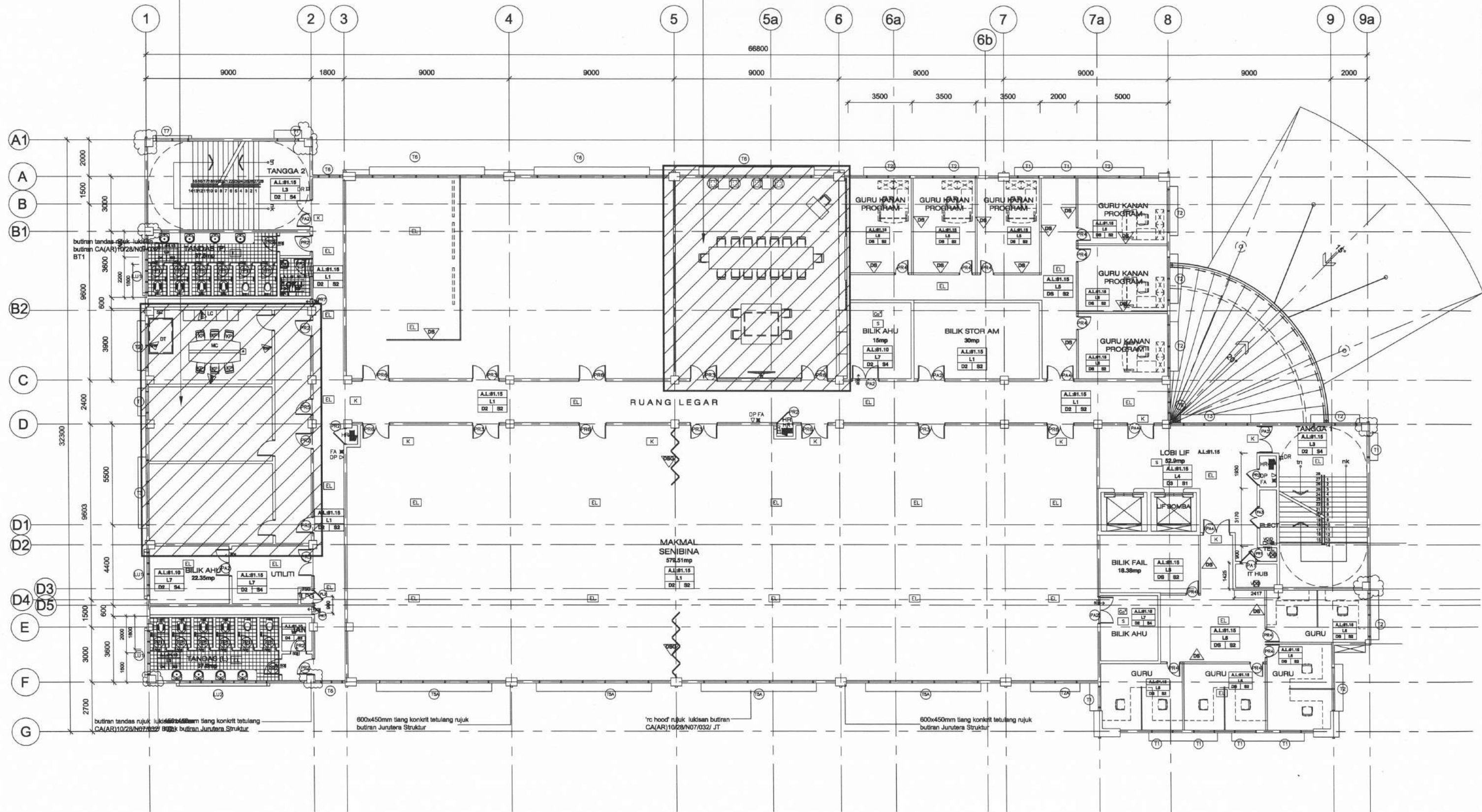


**LOKASI CADANGAN
STUDENT INTERACTIVE ROOM**

**LOKASI CADANGAN SMART LEARNING
& INTERACTIVE STUDIO**



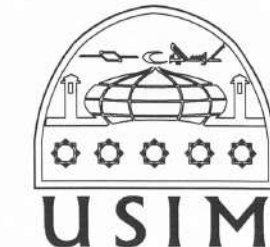
LUKISAN SEBUTHARGA

TAJUK PROJEK :
KERJA-KERJA PENGUBAHSUAIAN BANGUNAN
SEDIADA BAGI PENEMPATAN "LEARNING SPACE" DI
UNIVERSITI SAINS ISLAM MALAYSIA,
BANDAR BARU NILAI,
NEGERI SEMBILAN DARUL KHUSUS

TAJUK LUKISAN :
BANGUNAN TAMHIDI - FKAB (PAKEJ A)
- PELAN LOKASI CADANGAN UBAHSUAI

SKALA LUKISAN :
1 : 100

DILUKIS : M.A.M.A
DISEMAK : KETUA-KETUA UNIT JPPF USIM
TARIKH : SEPTEMBER 2021
NO. LUKISAN : USIM/SLC/FKAB/01



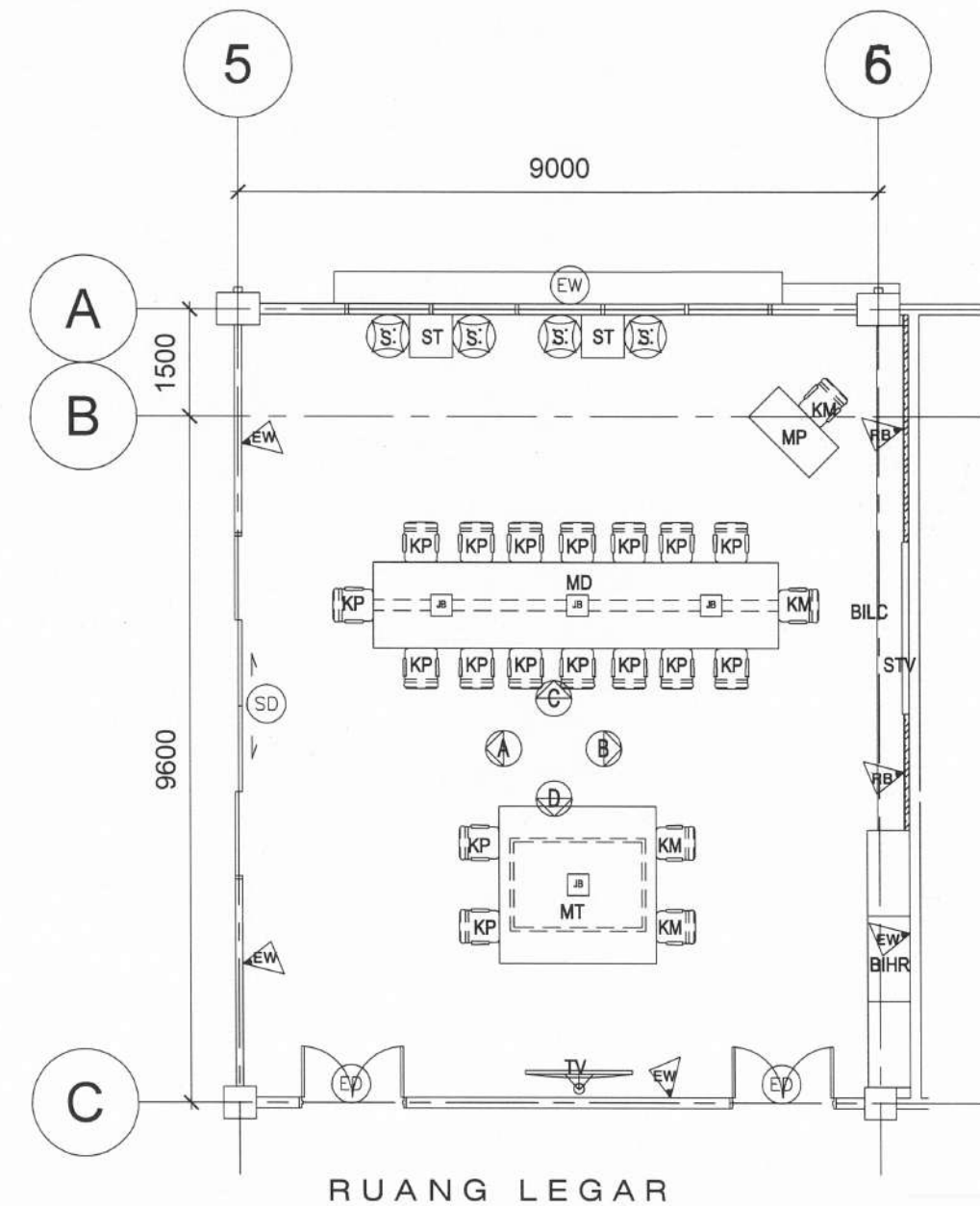
PENGARAH PEMBANGUNAN :
.....
JABATAN PEMBANGUNAN DAN PENGURUSAN FASILITI
UNIVERSITI SAINS ISLAM MALAYSIA,
BANDAR BARU NILAI, 71800 NILAI,
NEGERI SEMBILAN DARUL KHUSUS

JADUAL SPESIFIKASI

JADUAL SPESIFIKASI PERABOT DLL	
SIMBOL	SPESIFIKASI
S	600mm DIA (600mm HEIGHT) ROUND STOOL FINISHED WITH POLYPROPELENE TO MAUFACTURER'S DETAIL BY S.O APPROVAL.
ST	600mm(W)X600mm(L)X850(H) NYATOH PLY. SIDE TABLE TO MANUFACTURER'S DETAIL BY S.O APPROVAL.
MP	600mm(W)X1200mm(L)X850(H) METAL FRAMING WITH CHIPBOARD TOP MELAMINE FINISHED INCLUSIVE WITH GROMMET HOLE AND ETC LECTURER TABLE TO MANUFACTURERS DETAIL BY S.O APPROVAL.
KM	HALF LEATHER MOVABLE LECTURER CHAIR TO MANUFACTURER'S DETAIL BY S.O APPROVAL.
KP	FABRIC FINISHED MOVABLE CHAIR TO MANUFACTURER'S DETAIL BY S.O APPROVAL.
MD	1200mm(W)X 5700mm(L) X 800mm(H) METAL FRAME WITH CHIPBOARD MELAMINE FINISHED WITH SUNKEN ELECTRICAL & IT SOCKET AT CENTRE TO MANUFACTURER'S DETAIL BY S.O APPROVAL.
TV	TV PANEL BY OTHERS.
BIHR	1200mm(L)X600mm(L)X2100mm(H) 4 TIER HEAVY DUTY RACK TO SUPPLIER'S DETAIL BY S.O APPROVAL.
BILC	450mm(W)X7500MM(L)X800mm(H) BUILT IN LOW CABINET COMPLETE WITH DRAWERS & DOORS TO INSTALLER DETAIL BY S.O APPROVAL.
STV	SMART TV PANEL BY OTHERS.
MT	2200mm(w)X2200mm(L)X600mm(H) METAL FRAMING, CHIPBOARD MELAMINE FINISHED TOP MODEL TABLE TO MANUFACTURER'S DETAIL BY S.O APPROVAL
MC	1300mm(w)X2800mm(L)X800mm(H) METAL FRAMING, CHIPBOARD MELAMINE FINISHED TOP CONFERENCE TABLE TO MANUFACTURER'S DETAIL BY S.O APPROVAL
LC	600mm(w)X3000mm(L)X900mm(H) NYATOH PLY FINISHED WITH OIL BASE PAINT ALL AROUND OPEN COMPARTMENT SIDE BENCH TO INSTALLER DETAIL BY S.O APPROVAL.
SC	450mm(w)X600mm(L)X900mm(H) NYATOH PLY FINISHED WITH OIL BASE PAINT ALL AROUND INCLUSIVE WITH DRAWER AND LOCK SYSTEM TO MANUFACTURER'S DETAIL BY S.O APPROVAL.
DT	DRAFTING TABLE BY OTHERS.

JADUAL SPESIFIKASI KERJA BANGUNAN	
SIMBOL	SPESIFIKASI
EW	EXISTING WINDOW TO BE REMAIN.
ED	EXISTING 2 LEAVES GLASS DOOR TO BE REMAIN.
EW	EXISTING FULL HEIGHT 3500mm WALL TO BE REMAIN.
JB	300mm(W)X300mm(L) JUNCTION BOX WITH 2 POWER SOCKET & IT POINT BY ELECTRICAL & IT CONTRACTOR.
RB	EXISTING FULL HEIGHT 3500mm WALL FINISHED WITH 40kgM3 ACCOUSTIC FABRIC TREATMENT TO INSTALLER DETAIL BY S.O APPROVAL.
GD	900mmX2100mm SINGLE GLASS DOOR TO MANUFACTURER'S DETAIL BY S.O APPROVAL.
SD	EXISTING SLIDING DOOR TO BE REMAIN.
RW	EXISTING FULL HEIGHT 3500mm WALL TO BE REFURBISH AND PAINT TO S.O APPROVAL.

PELAN CADANGAN UBAHSUAI

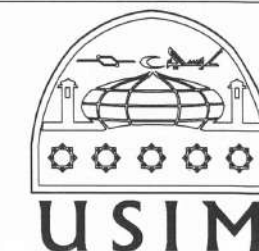


LUKISAN SEBUTHARGA

TAJUK PROJEK :
KERJA-KERJA PENGUBAHSUAIAN BANGUNAN SEDIADA BAGI PENEMPATAN "LEARNING SPACE" DI UNIVERSITI SAINS ISLAM MALAYSIA, BANDAR BARU NILAI, NEGERI SEMBILAN DARUL KHUSUS

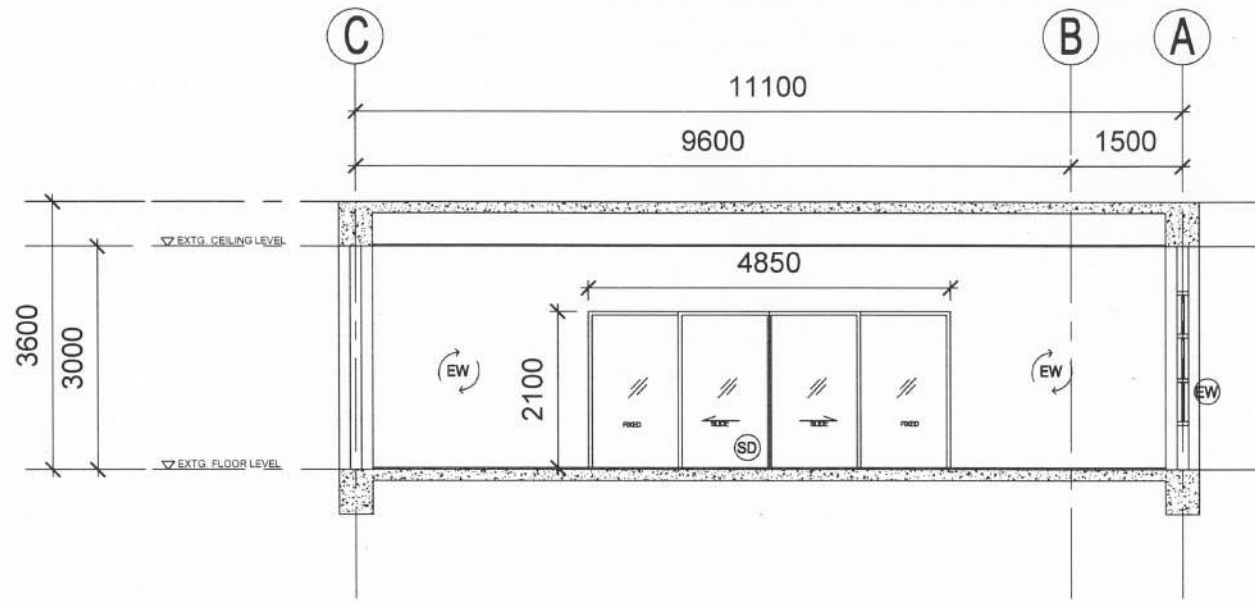
TAJUK LUKISAN :
BANGUNAN TAMHIDI - FKAB (PAKEJ A)
- JADUAL SPESIFIKASI
- PELAN SUSUNATUR SMART LEARNING & INTERACTIVE STUDIO
SKALA LUKISAN :
1 : 100

DILUKIS : M.A.M.A
DISEMAK : KETUA-KETUA UNIT JPPF USIM
TARIKH : SEPTEMBER 2021
NO. LUKISAN : USIM/SLC/FKAB/02

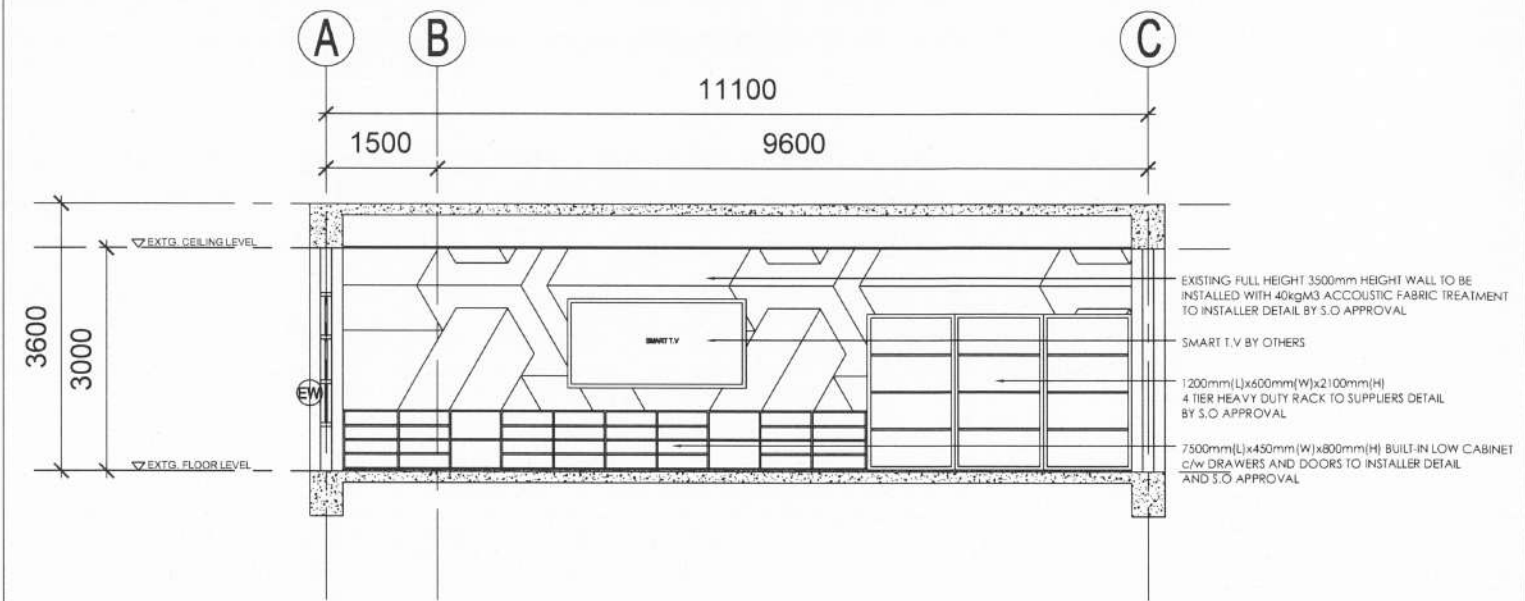


PENGARAH PEMBANGUNAN :

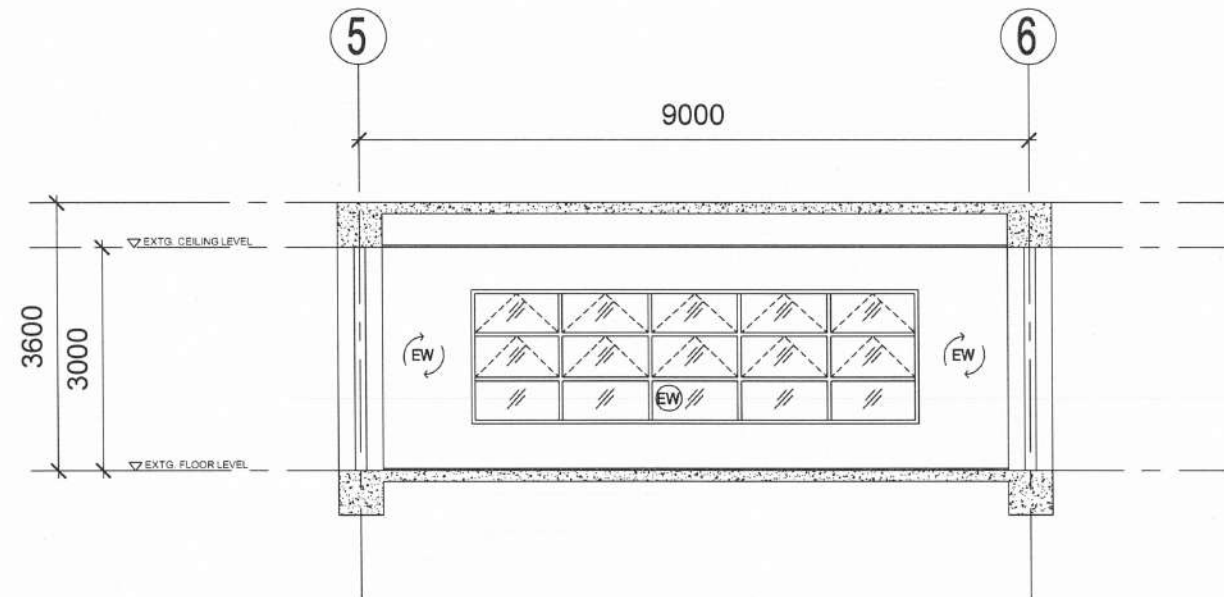
JABATAN PEMBANGUNAN DAN PENGURUSAN FASILITI
UNIVERSITI SAINS ISLAM MALAYSIA,
BANDAR BARU NILAI, 71800 NILAI,
NEGERI SEMBILAN DARUL KHUSUS



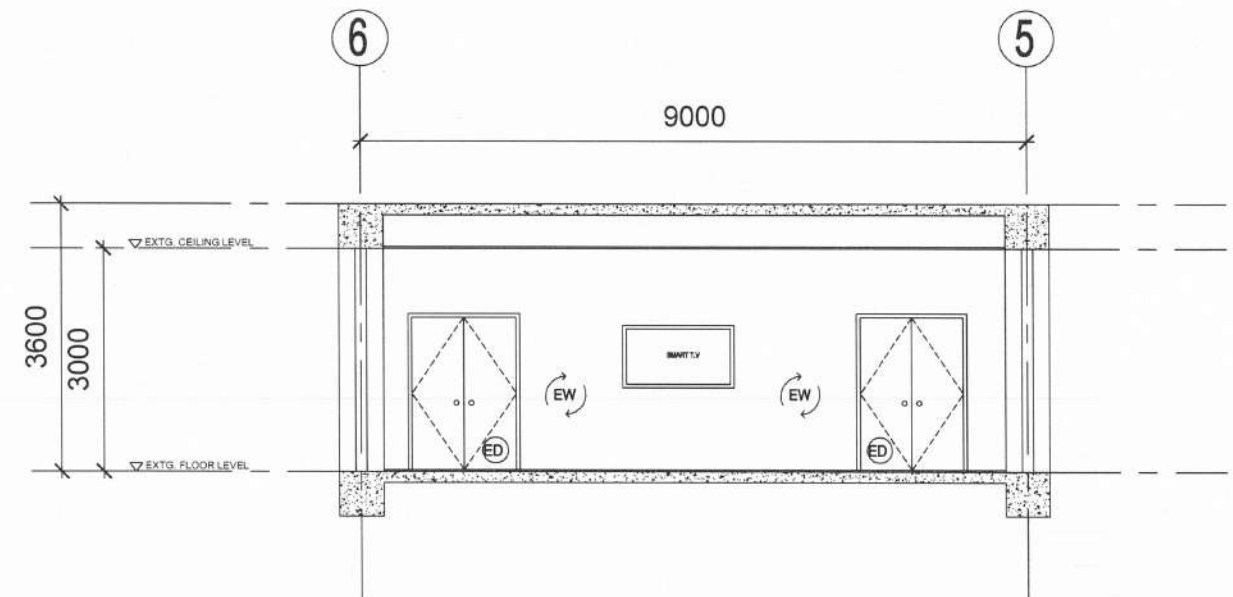
PANDANGAN A



PANDANGAN B



PANDANGAN C



PANDANGAN D

LUKISAN SEBUTHARGA

TAJUK PROJEK :
KERJA-KERJA PENGUBAHSUAIAN BANGUNAN
SEDIADA BAGI PENEMPATAN "LEARNING SPACE" DI
UNIVERSITI SAINS ISLAM MALAYSIA,
BANDAR BARU NILAI,
NEGERI SEMBILAN DARUL KHUSUS

TAJUK LUKISAN :
BANGUNAN TAMHIDI - FKAB (PAKEJ A)
- PANDANGAN SMART LEARNING & INTERACTIVE STUDIO

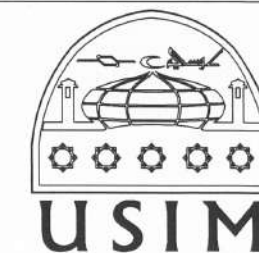
SKALA LUKISAN :
1 : 100

DILUKIS : M.A.M.A

DISEMAK : KETUA-KETUA UNIT JPPF USIM

TARIKH : SEPTEMBER 2021

NO. LUKISAN : USIM/SLC/FKAB/03



PENGARAH PEMBANGUNAN :

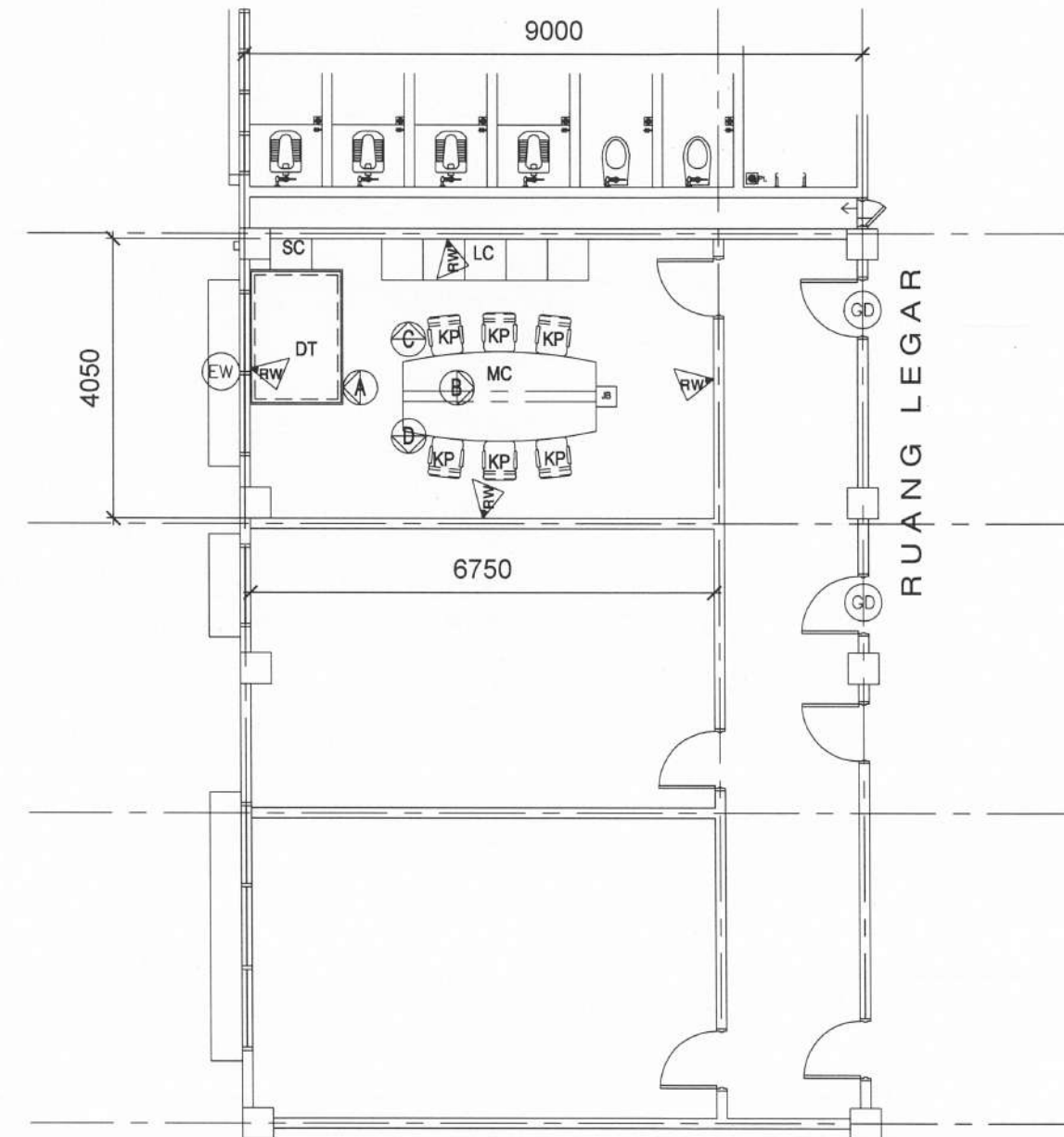
JABATAN PEMBANGUNAN DAN PENGURUSAN FASILITI
UNIVERSITI SAINS ISLAM MALAYSIA,
BANDAR BARU NILAI, 71800 NILAI,
NEGERI SEMBILAN DARUL KHUSUS

JADUAL SPESIFIKASI

JADUAL SPESIFIKASI PERABOT DLL	
SIMBOL	SPESIFIKASI
S	600mm DIA (600mm HEIGHT) ROUND STOOL FINISHED WITH POLYPROPELENE TO MAUFACTURER'S DETAIL BY S.O APPROVAL.
ST	600mm(W)X600mm(L)X850(H) NYATOH PLY. SIDE TABLE TO MANUFACTURER'S DETAIL BY S.O APPROVAL.
MP	600mm(W)X1200mm(L)X850(H) METAL FRAMING WITH CHIPBOARD TOP MELAMINE FINISHED INCLUSIVE WITH GROMMET HOLE AND ETC LECTURER TABLE TO MANUFACTURERS DETAIL BY S.O APPROVAL.
KM	HALF LEATHER MOVABLE LECTURER CHAIR TO MANUFACTURER'S DETAIL BY S.O APPROVAL.
KP	FABRIC FINISHED MOVABLE CHAIR TO MANUFACTURER'S DETAIL BY S.O APPROVAL.
MD	1200mm(W)X 5700mm(L) X 800mm(H) METAL FRAME WITH CHIPBOARD MELAMINE FINISHED WITH SUNKEN ELECTRICAL & IT SOCKET AT CENTRE TO MANUFACTURER'S DETAIL BY S.O APPROVAL.
TV	TV PANEL BY OTHERS.
BIHR	1200mm(L)X600mm(L)X2100mm(H) 4 TIER HEAVY DUTY RACK TO SUPPLIER'S DETAIL BY S.O APPROVAL.
BILC	450mm(W)X7500MM(L)X800mm(H) BUILT IN LOW CABINET COMPLETE WITH DRAWERS & DOORS TO INSTALLER DETAIL BY S.O APPROVAL.
STV	SMART TV PANEL BY OTHERS.
MT	2200mm(w)X2200mm(L)X600mm(H) METAL FRAMING, CHIPBOARD MELAMINE FINISHED TOP MODEL TABLE TO MANUFACTURER'S DETAIL BY S.O APPROVAL
MC	1300mm(w)X2800mm(L)X800mm(H) METAL FRAMING, CHIPBOARD MELAMINE FINISHED TOP CONFERENCE TABLE TO MANUFACTURER'S DETAIL BY S.O APPROVAL
LC	600mm(w)X3000mm(L)X900mm(H) NYATOH PLY FINISHED WITH OIL BASE PAINT ALL AROUND OPEN COMPARTMENT SIDE BENCH TO INSTALLER DETAIL BY S.O APPROVAL.
SC	450mm(w)X600mm(L)X900mm(H) NYATOH PLY FINISHED WITH OIL BASE PAINT ALL AROUND INCLUSIVE WITH DRAWER AND LOCK SYSTEM TO MANUFACTURER'S DETAIL BY S.O APPROVAL.
DT	DRAFTING TABLE BY OTHERS.

JADUAL SPESIFIKASI KERJA BANGUNAN	
SIMBOL	SPESIFIKASI
EW	EXISTING WINDOW TO BE REMAIN.
ED	EXISTING 2 LEAVES GLASS DOOR TO BE REMAIN.
EW	EXISTING FULL HEIGHT 3500mm WALL TO BE REMAIN.
JB	300mm(W)X300mm(L) JUNCTION BOX WITH 2 POWER SOCKET & IT POINT BY ELECTRICAL & IT CONTRACTOR.
RB	EXISTING FULL HEIGHT 3500mm WALL FINISHED WITH 40kgM3 ACCOUSTIC FABRIC TREATMENT TO INSTALLER DETAIL BY S.O APPROVAL.
GD	900mmX2100mm SINGLE GLASS DOOR TO MANUFACTURER'S DETAIL BY S.O APPROVAL.
SD	EXISTING SLIDING DOOR TO BE REMAIN.
RW	EXISTING FULL HEIGHT 3500mm WALL TO BE REFURBISH AND PAINT TO S.O APPROVAL.

PELAN CADANGAN UBAHSUAI



LUKISAN SEBUTHARGA

TAJUK PROJEK :
KERJA-KERJA PENGUBAHSUAIAN BANGUNAN
SEDIADA BAGI PENEMPATAN "LEARNING SPACE" DI
UNIVERSITI SAINS ISLAM MALAYSIA,
BANDAR BARU NILAI,
NEGERI SEMBILAN DARUL KHUSUS

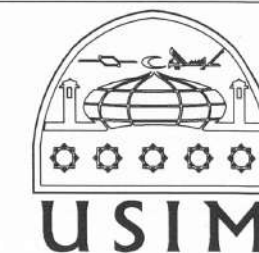
TAJUK LUKISAN :
BANGUNAN TAMHIDI - FKAB (PAKEJ A)
- JADUAL SPESIFIKASI
- PELAN SUSUNATUR STUDENT INTERACTIVE ROOM
SKALA LUKISAN :
1 : 100

DILUKIS : M.A.M.A

DISEMAK : KETUA-KETUA UNIT JPPF USIM

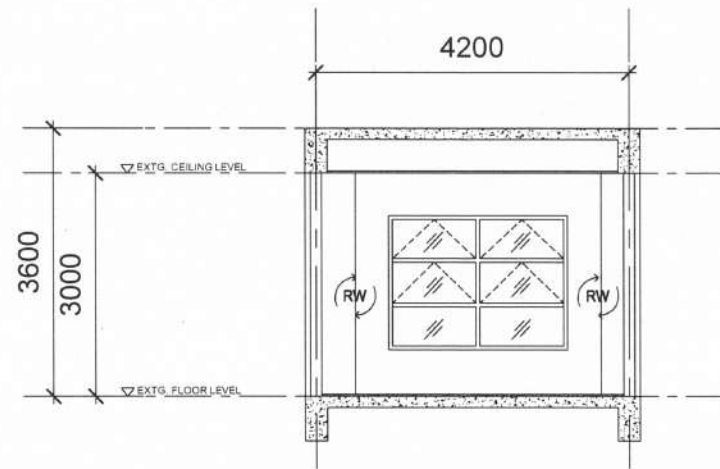
TARIKH : SEPTEMBER 2021

NO. LUKISAN : USIM/SLC/FKAB/04

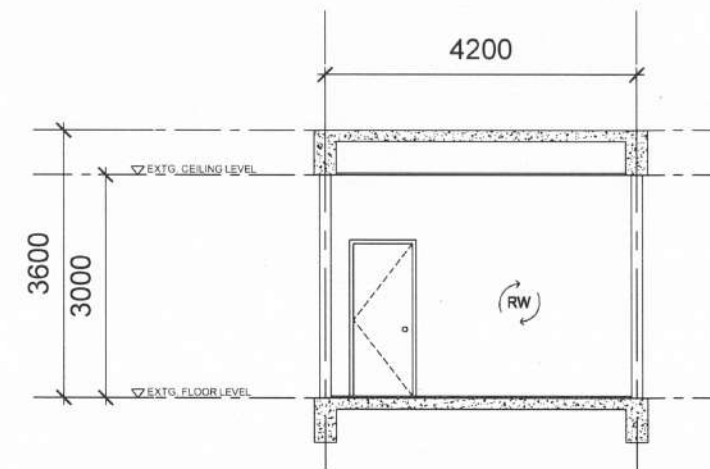


PENGARAH PEMBANGUNAN :

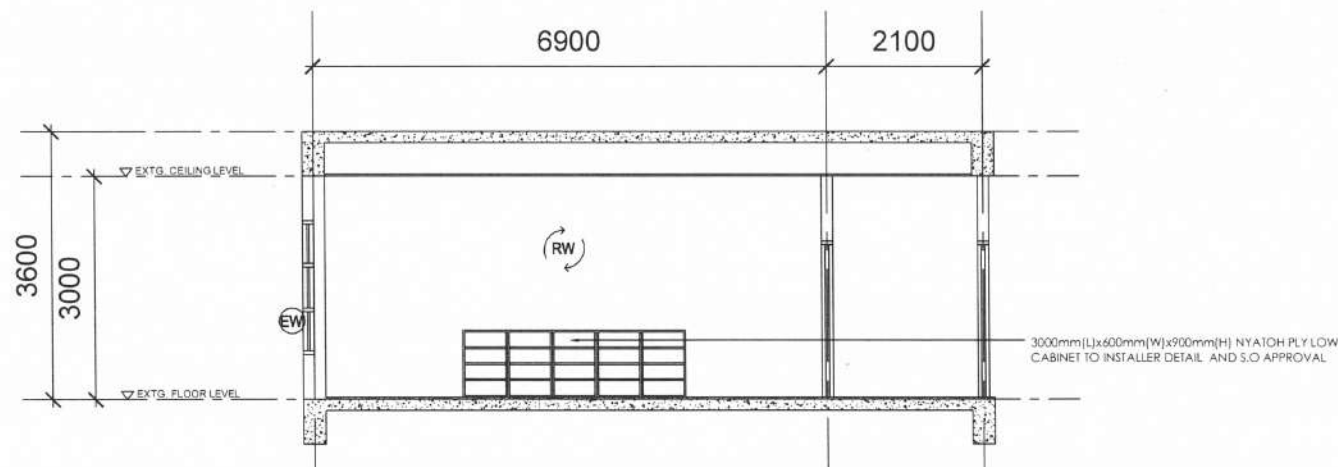
JABATAN PEMBANGUNAN DAN PENGURUSAN FASILITI
UNIVERSITI SAINS ISLAM MALAYSIA,
BANDAR BARU NILAI, 71800 NILAI,
NEGERI SEMBILAN DARUL KHUSUS



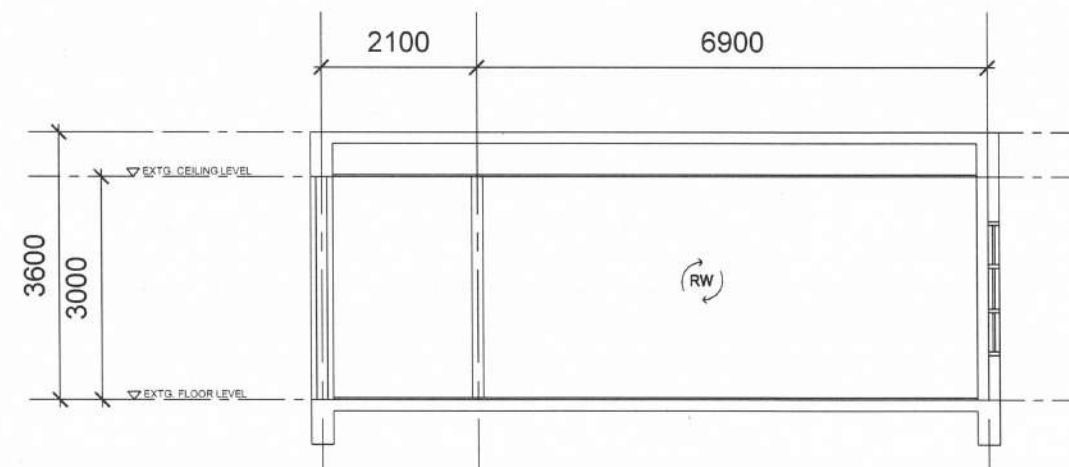
PANDANGAN A



PANDANGAN B



PANDANGAN C



PANDANGAN D

LUKISAN SEBUTHARGA

TAJUK PROJEK :
KERJA-KERJA PENGUBAHSUAIAN BANGUNAN
SEDIADA BAGI PENEMPATAN "LEARNING SPACE" DI
UNIVERSITI SAINS ISLAM MALAYSIA,
BANDAR BARU NILAI,
NEGERI SEMBILAN DARUL KHUSUS

TAJUK LUKISAN :
BANGUNAN TAMHIDI - FKAB (PAKEJ A)
- PANDANGAN STUDENT INTERACTIVE ROOM

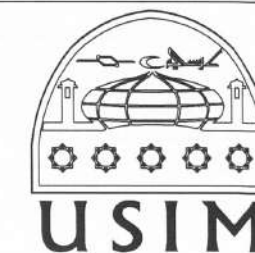
SKALA LUKISAN :
1 : 100

DILUKIS : M.A.M.A

DISEMAK : KETUA-KETUA UNIT JPPF USIM

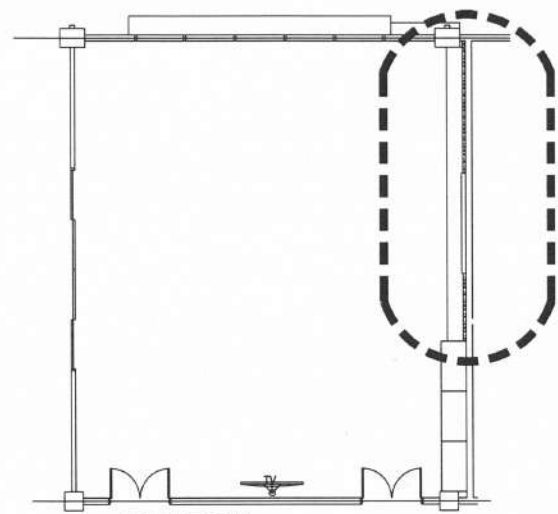
TARIKH : SEPTEMBER 2021

NO. LUKISAN : USIM/SLC/FKAB/05



PENGARAH PEMBANGUNAN :

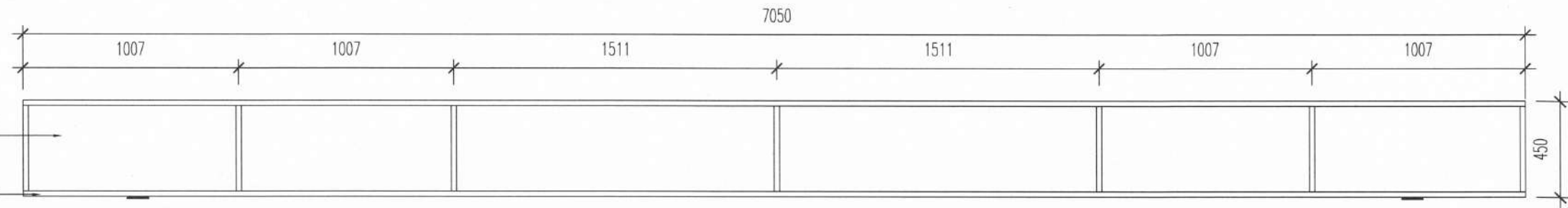
.....
JABATAN PEMBANGUNAN DAN PENGURUSAN FASILITI
UNIVERSITI SAINS ISLAM MALAYSIA,
BANDAR BARU NILAI, 71800 NILAI,
NEGERI SEMBILAN DARUL KHUSUS



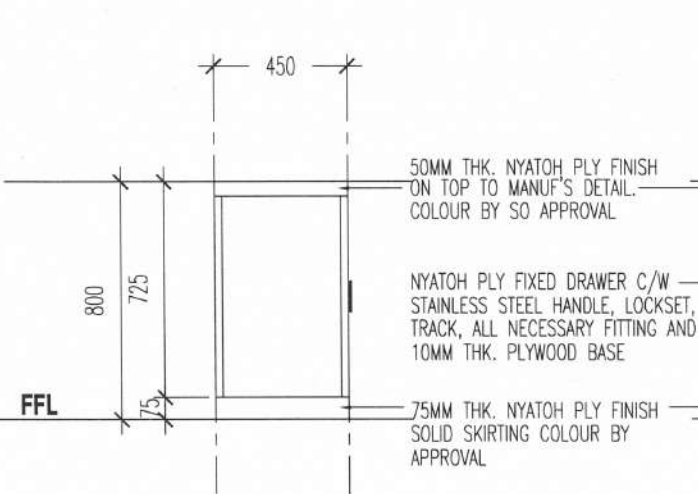
LOCATION

50MM THK. NYATOH PLY FINISH ON TOP TO MANUF'S DETAIL. COLOUR BY SO APPROVAL

DOTTED LINE SHOW 25MM THK NYATOH PLY SIDE PANEL AND MIDDLE PANEL.



PLAN
SCALE : AS SHOWN

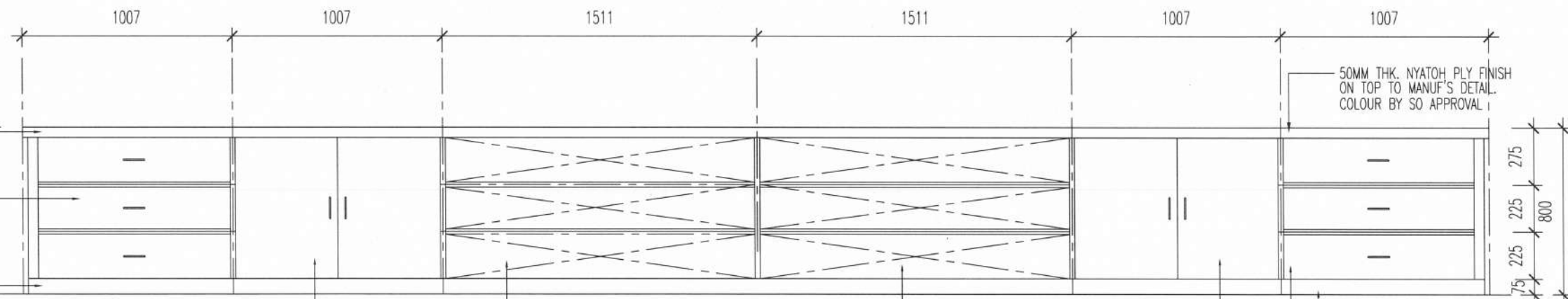


SIDE ELEVATION
SCALE : AS SHOWN

50MM THK. NYATOH PLY FINISH ON TOP TO MANUF'S DETAIL. COLOUR BY SO APPROVAL

NYATOH PLY FIXED DRAWER C/W STAINLESS STEEL HANDLE, LOCKSET, TRACK, ALL NECESSARY FITTING AND 10MM THK. PLYWOOD BASE

75MM THK. NYATOH PLY FINISH SOLID SKIRTING COLOUR BY APPROVAL



FRONT ELEVATION
SCALE : AS SHOWN

OPEN SHELF
25MM THK. NYATOH PLY FINISH DOUBLE SWING DOOR C/W STAINLESS STEEL DOOR HANDLE, LOCKSET, HINGES, ALL NECESSARY FITTING AND 25MM THK NYATOH PLY MIDDLE SHELF INSIDE TO MANUF'S DETAIL

50MM THK. NYATOH PLY FINISH ON TOP TO MANUF'S DETAIL. COLOUR BY SO APPROVAL

NYATOH PLY FIXED DRAWER C/W STAINLESS STEEL HANDLE, LOCKSET, TRACK, ALL NECESSARY FITTING AND 10MM THK. PLYWOOD BASE

75MM THK. NYATOH PLY FINISH SOLID SKIRTING COLOUR BY SO APPROVAL

NYATOH PLY FIXED DRAWER C/W STAINLESS STEEL HANDLE, LOCKSET, TRACK, ALL NECESSARY FITTING AND 10MM THK. PLYWOOD BASE

25MM THK. NYATOH PLY FINISH DOUBLE SWING DOOR C/W STAINLESS STEEL DOOR HANDLE, LOCKSET, HINGES, ALL NECESSARY FITTING AND 25MM THK NYATOH PLY MIDDLE SHELF INSIDE TO MANUF'S DETAIL

LUKISAN SEBUTHARGA

TAJUK PROJEK :
KERJA-KERJA PENGUBAHSUAIAN BANGUNAN SEDIADA BAGI PENEMPATAN "LEARNING SPACE" DI UNIVERSITI SAINS ISLAM MALAYSIA, BANDAR BARU NILAI, NEGERI SEMBILAN DARUL KHUSUS

TAJUK LUKISAN :
BANGUNAN TAMHIDI - FKAB (PAKEJ A)
- LUKISAN TERPERINCI - KABINET RENDAH (BILC)

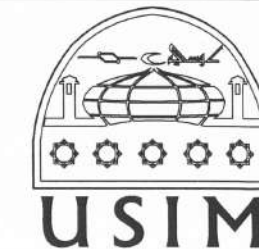
SKALA LUKISAN :
1 : 25

DILUKIS : M.A.M.A

DISEMAK : KETUA-KETUA UNIT JPPF USIM

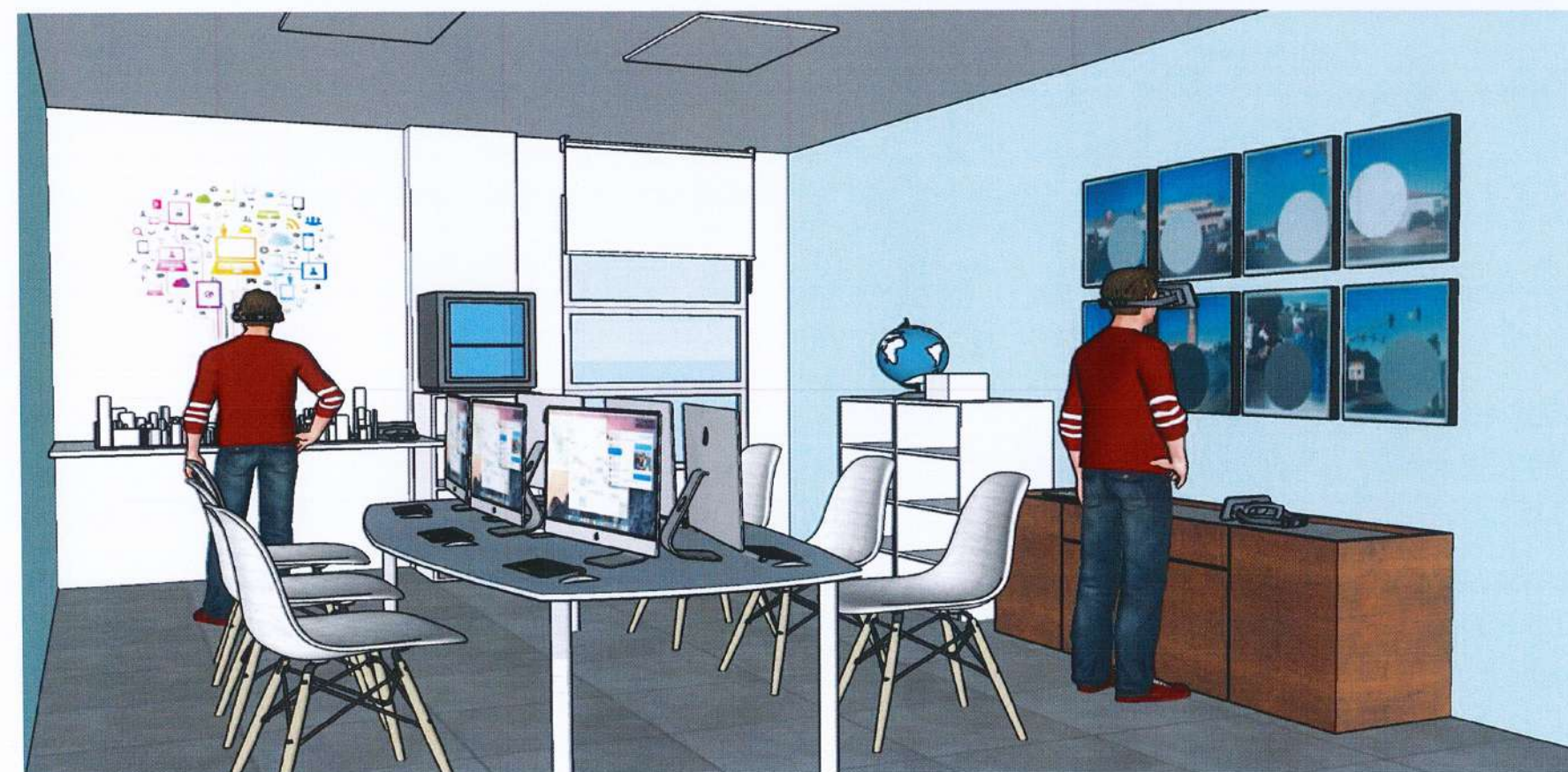
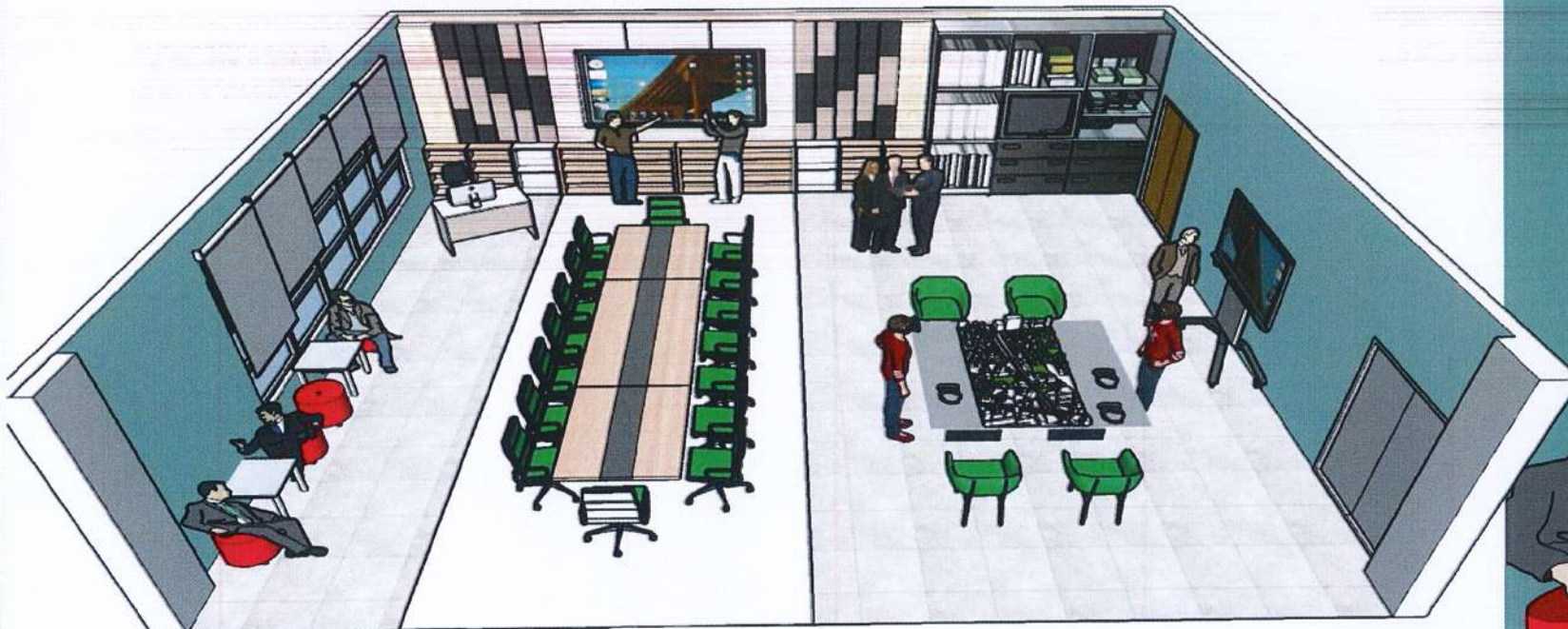
TARIKH : SEPTEMBER 2021

NO. LUKISAN : USIM/SLC/FKAB/06



PENGARAH PEMBANGUNAN :

JABATAN PEMBANGUNAN DAN PENGURUSAN FASILITI
UNIVERSITI SAINS ISLAM MALAYSIA,
BANDAR BARU NILAI, 71800 NILAI,
NEGERI SEMBILAN DARUL KHUSUS

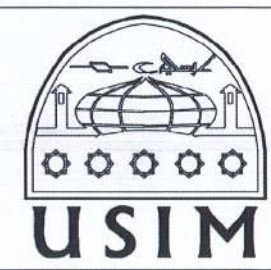


LUKISAN SEBUTHARGA

TAJUK PROJEK :
KERJA-KERJA PENGUBAHSUAIAN BANGUNAN
SEDIADA BAGI PENEMPATAN "LEARNING SPACE" DI
UNIVERSITI SAINS ISLAM MALAYSIA,
BANDAR BARU NILAI,
NEGERI SEMBILAN DARUL KHUSUS

TAJUK LUKISAN :
BANGUNAN TAMHIDI - FKAB (PAKEJ A)
- 3D PERSPEKTIF
SKALA LUKISAN :
N.T.S

DILUKIS : M.A.M.A
DISEMAK : KETUA-KETUA UNIT JPPF USIM
TARIKH : SEPTEMBER 2021
NO. LUKISAN : USIM/SLC/FKAB/07



PENGARAH PEMBANGUNAN :
.....
JABATAN PEMBANGUNAN DAN PENGURUSAN FASILITI
UNIVERSITI SAINS ISLAM MALAYSIA,
BANDAR BARU NILAI, 71800 NILAI,
NEGERI SEMBILAN DARUL KHUSUS