

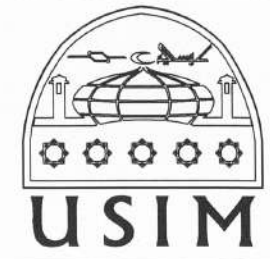
**LUKISAN SEBUTHARGA**

**TAJUK PROJEK :**  
KERJA-KERJA PENGUBAHSUAIAN BANGUNAN SEDIADA BAGI PENEMPATAN "LEARNING SPACE" DI UNIVERSITI SAINS ISLAM MALAYSIA, BANDAR BARU NILAI, NEGERI SEMBILAN DARUL KHUSUS

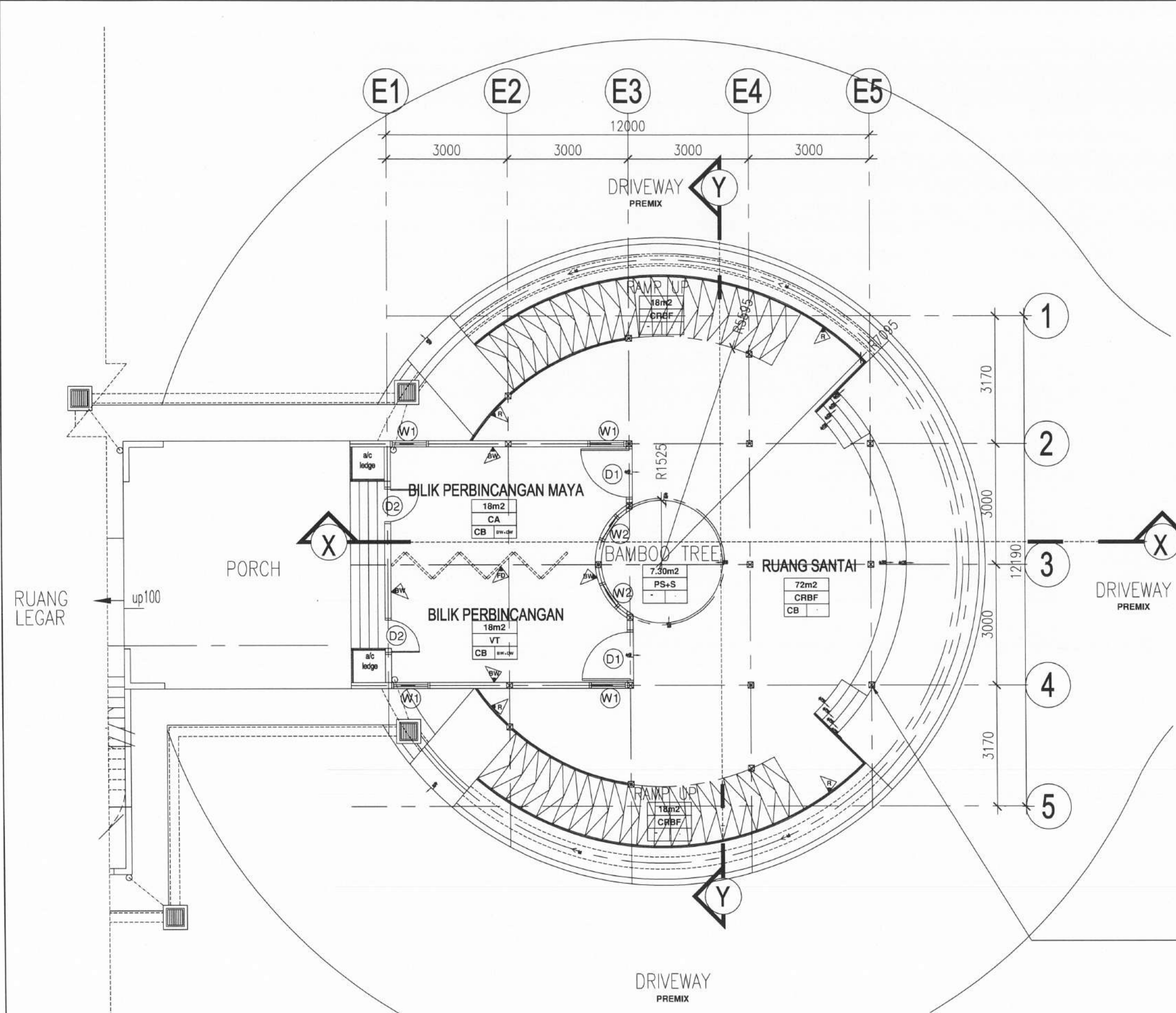
**TAJUK LUKISAN :**  
BANGUNAN PUSAT PENGAJIAN SISWAZAH - P.P.S (PAKEJ D) - PELAN LOKASI CADANGAN UBAHSUI

**SKALA LUKISAN :**  
N.T.S

**DI LUKIS :** M.A.M.A  
**DI SEMAK :** KETUA-KETUA UNIT JPPF,USIM  
**TARIKH :** SEPTEMBER 2021  
**NO LUKISAN:** USIM/SLC/PPS/01



**PENGARAH PEMBANGUNAN :**  
.....  
JABATAN PEMBANGUNAN DAN PENGURUSAN FASILITI  
UNIVERSITI SAINS ISLAM MALAYSIA,  
BANDAR BARU NILAI, 71800 NILAI,  
NEGERI SEMBILAN DARUL KHUSUS



**PETUNJUK**

AREA	
LANTAI	
SILING	
DINDING	

**JADUAL SPESIFIKASI LANTAI**

SIMBOL	SPESIFIKASI
CRBF	150mm THK RC FLOOR FINISHED WITH < 75mm THK CEMENT RENDER BROOM FINISHED
CA	150mm THK RC FLOOR FINISHED WITH CARPET TO INSTALLER DETAIL BY S.O APPROVAL.
VT	150mm THK RC FLOOR FINISHED WITH VINYL TILE c/w 100mm HEIGHT PVC SKIRTING TO INSTALLER DETAIL
PS+S	50mm THK SAND WITH 50mm THK PEBBLE STONE ON TOP OF IT TO INSTALLER DETAIL BY S.O APPROVAL.

**JADUAL SPESIFIKASI DINDING & SUSURTANGAN**

SIMBOL	SPESIFIKASI
BW	150mm THK LIGHTWEIGHT BRICK FINISHED WITH PLASTERED AND PAINT c/w 12mm PVC GROOVE LINE TO INSTALLER DETAIL BY S.O APPROVAL.
R	150m(W)X 1mm THK GI PAINTED WITH ANTI RUST PAINT HANDRAILS WELDED TO 100mm(W)X100mm(D) RHS BALUSTRADE WITH 12mm DIA CABLE STAYED AT CENTRE AT 900mm FFL HEIGHT RAILINGS TO INSTALLER DETAIL BY S.O APPROVAL.

**JADUAL SPESIFIKASI SILING**

SIMBOL	SPESIFIKASI
CB	6mm THK SEAMLESS JOINT CEMENT BOARD SLUNTING ACCORDINGLY TO ROOF FINISHED WITH SKIM COAT AND PAINT TO INSTALLER DETAIL BY S.O APPROVAL.

**JADUAL SPESIFIKASI PINTU & TINGKAP**

SIMBOL	SPESIFIKASI
D1	2100mm(H)X1200mm(W) 40mm TIMBER FLUSH DOOR INCLUSIVE WITH LOCKED SYSTEM AND HINDGES TO MANUFACTURER'S DETAIL BY S.O APPROVAL.
D2	2100mm(H) X 900mm(W) 40mm TIMBER FLUSH DOOR INCLUSIVE WITH LOCKED SYSTEM AND HINDGES TO MANUFACTURER'S DETAIL BY S.O APPROVAL.
FD	2400mm(H)X4700mm(W) ALUM. FRAME FOLDABLE DOOR, c/w ACCOUSTIC TREATMENT, LOCKSET AND ACCESSORIES TO S.O APPROVAL
W1	1175mm(H)X900mm(W) 50mm ALUMN. FRAME GLASS CASEMENT WINDOW COMPLETE WITH LOCKED SYSTEM & HINGES TO MANUFACTURER'S DETAIL BY S.O APPROVAL.
W2	1175mm(H)X600mm(W) 50mm ALUMN. FRAME FIXED GLASS WINDOW TO MANUFACTURER'S DETAIL BY S.O APPROVAL.

150mmX150mm SHS FINISHED WITH ANTI RUST PAINT TO ENGINEER'S DETAIL.

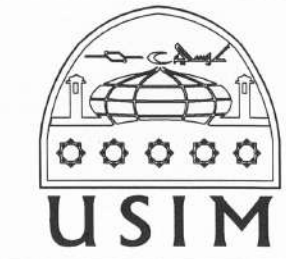
**LUKISAN SEBUTHARGA**

**TAJUK PROJEK :**  
KERJA-KERJA PENGUBAHSUAIAN BANGUNAN SEDIADA BAGI PENEMPATAN "LEARNING SPACE" DI UNIVERSITI SAINS ISLAM MALAYSIA, BANDAR BARU NILAI, NEGERI SEMBILAN DARUL KHUSUS

**TAJUK LUKISAN :**  
BANGUNAN PUSAT PENGAJIAN SISWAZAH - P.P.S (PAKEJ D) - PELAN UBAHSUAI

**SKALA LUKISAN :**  
1 : 100

DI LUKIS : M.A.M.A  
DI SEMAK : KETUA-KETUA UNIT JPPF,USIM  
TARIKH : SEPTEMBER 2021  
NO LUKISAN: USIM/SLC/PPS/02



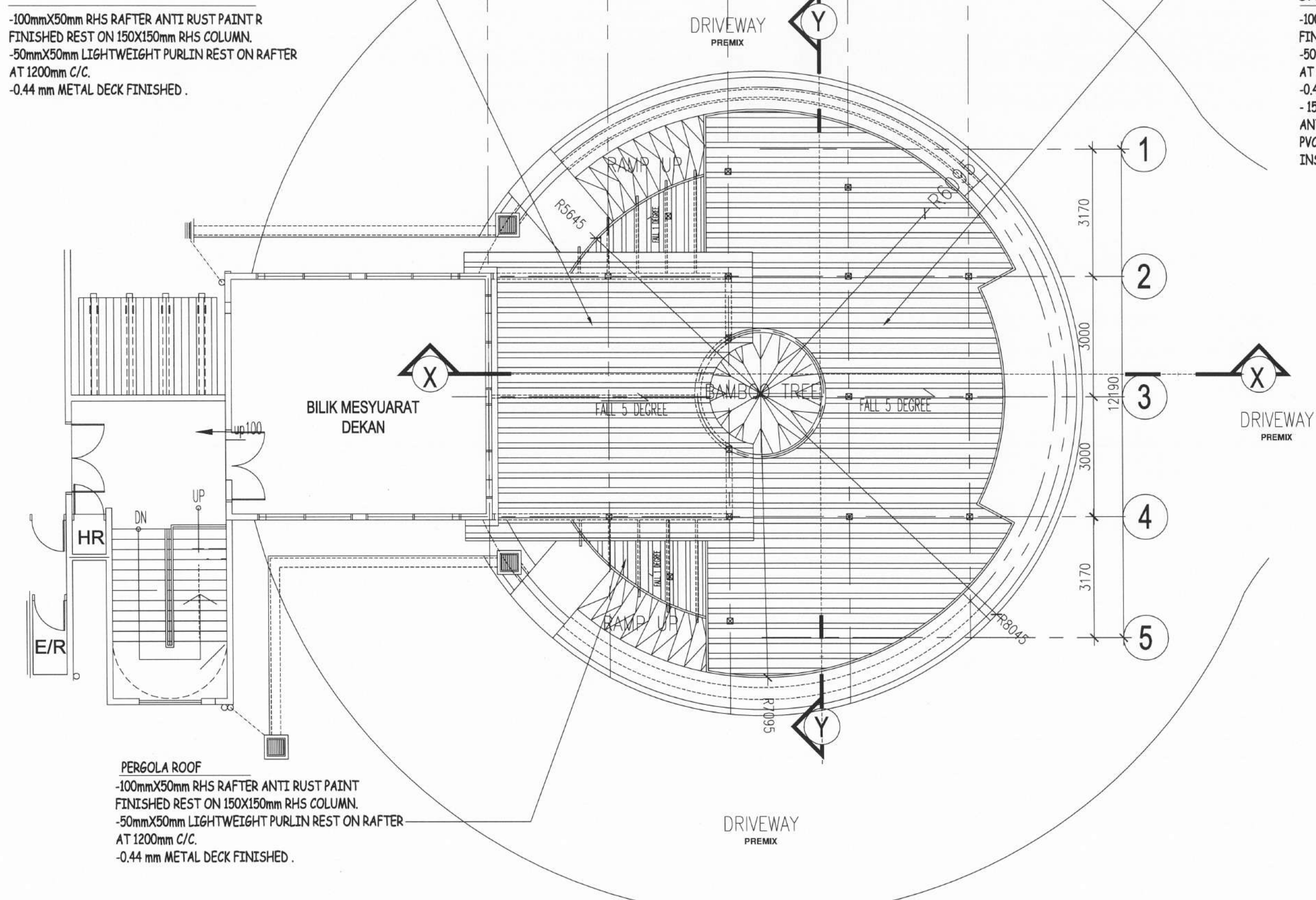
**PENGARAH PEMBANGUNAN :**  
.....  
JABATAN PEMBANGUNAN DAN PENGURUSAN FASILITI  
UNIVERSITI SAINS ISLAM MALAYSIA,  
BANDAR BARU NILAI, 71800 NILAI,  
NEGERI SEMBILAN DARUL KHUSUS

**BILIK PERBINCANGAN ROOF CONSTRUCTION**

- 100mmX50mm RHS RAFTER ANTI RUST PAINT R FINISHED REST ON 150X150mm RHS COLUMN.
- 50mmX50mm LIGHTWEIGHT PURLIN REST ON RAFTER AT 1200mm C/C.
- 0.44 mm METAL DECK FINISHED.

**SANTAI AREA ROOF CONSTRUCTION**

- 100mmX50mm RHS RAFTER ANTI RUST PAINT R FINISHED REST ON 150X150mm RHS COLUMN.
- 50mmX50mm LIGHTWEIGHT PURLIN REST ON RAFTER AT 1200mm C/C.
- 0.44 mm METAL DECK FINISHED.
- 150mm DIA ROUND GI GUTTER FINISHED WITH ANTI RUST PAINT INCLUSIVE WITH BRACKET, 100m PVC RWDP AND ALL NECESSARY FITTINGS TO INSTALLER DETAIL BY S.O APPROVAL.



**PERGOLA ROOF**  
 -100mmX50mm RHS RAFTER ANTI RUST PAINT FINISHED REST ON 150X150mm RHS COLUMN.  
 -50mmX50mm LIGHTWEIGHT PURLIN REST ON RAFTER AT 1200mm C/C.  
 -0.44 mm METAL DECK FINISHED.

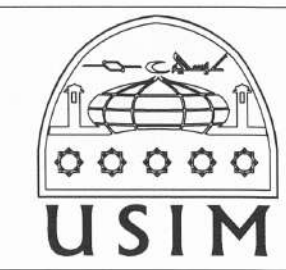
**LUKISAN SEBUTHARGA**

**TAJUK PROJEK :**  
 KERJA-KERJA PENGUBAHSUAIAN BANGUNAN SEDIADA BAGI PENEMPATAN "LEARNING SPACE" DI UNIVERSITI SAINS ISLAM MALAYSIA,  
 BANDAR BARU NILAI,  
 NEGERI SEMBILAN DARUL KHUSUS

**TAJUK LUKISAN :**  
 BANGUNAN PUSAT PENGAJIAN SISWAZAH - P.P.S (PAKEJ D)  
 - PELAN BUMBUNG

**SKALA LUKISAN :**  
 1 : 100

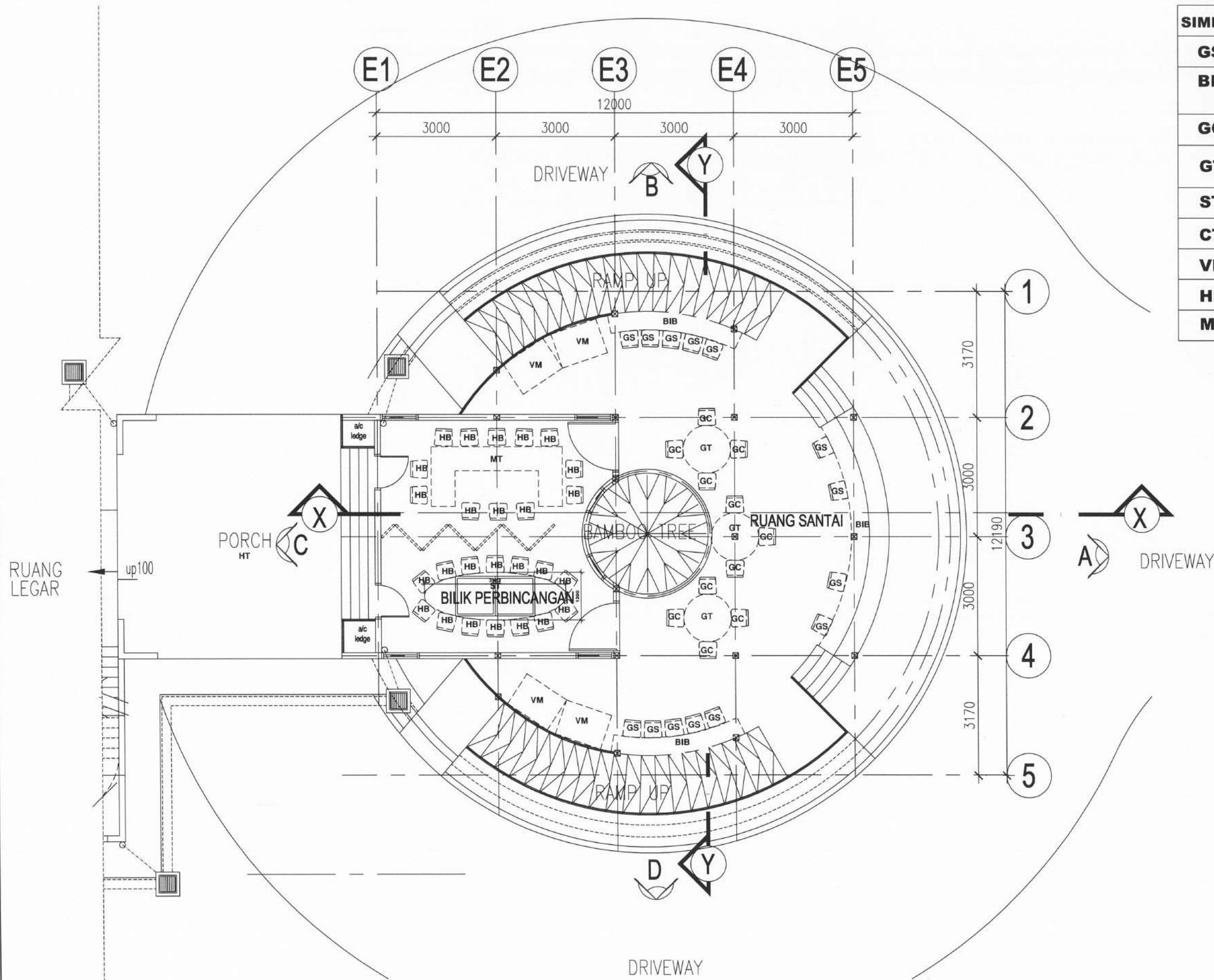
**DI LUKIS :** M.A.M.A  
**DI SEMAK :** KETUA-KETUA UNIT JPPF,USIM  
**TARIKH :** SEPTEMBER 2021  
**NO LUKISAN:** USIM/SLC/PPS/03



**PENGARAH PEMBANGUNAN :**  
 .....  
 JABATAN PEMBANGUNAN DAN PENGURUSAN FASILITI  
 UNIVERSITI SAINS ISLAM MALAYSIA,  
 BANDAR BARU NILAI, 71800 NILAI,  
 NEGERI SEMBILAN DARUL KHUSUS

**JADUAL SPESIFIKASI PERABOT DLL**

SIMBOL	SPESIFIKASI
GS	700mm HEIGHT GARDEN STOOL BAR TYPE TO SUPPLY BY OTHERS TO S.O APPROVAL.
BIB	450mm(W) NYATOH PLY TREATED TOP WITH STEEL FRAME BUILT IN BAR AT 900mm HEIGHT FFL AND PERFORATED PANEL REFER TO DETAIL.
GC	600mm HEIGHT GARDEN CHAIR SUPPLY BY OTHERS TO S.O APPROVAL.
GT	1200mm DIA STEEL FRAME GARDEN TABLE WITH NYATOH PLY TREATED MELAMINE FINISHED TOP SUPPLY BY OTHERS TO S.O APPROVAL.
ST	1200mm(W) X 750mm(H) X 3250mm(L) OVAL SMART TABLE SUPPLY BY OTHERS TO S.O APPROVAL
CT	600mm(W)X1200mm(L) COFFEE GLASS TABLE SUPPLY BY OTHERS TO S.O APPROVAL.
VM	VENDING MACHINE BY OTHERS.
HB	HIGH BACK FABRIC CHAIR SUPPLY BY OTHERS
MT	600mm(W) X 750mm(H) X 6300mm(L) 'U' SHAPE MODULAR TABLE SUPPLY BY OTHERS TO S.O APPROVAL



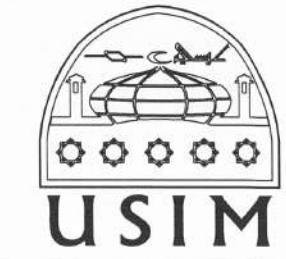
**LUKISAN SEBUTHARGA**

**TAJUK PROJEK :**  
 KERJA-KERJA PENGUBAHSUAIAN BANGUNAN SEDIADA BAGI PENEMPATAN "LEARNING SPACE" DI UNIVERSITI SAINS ISLAM MALAYSIA,  
 BANDAR BARU NILAI,  
 NEGERI SEMBILAN DARUL KHUSUS

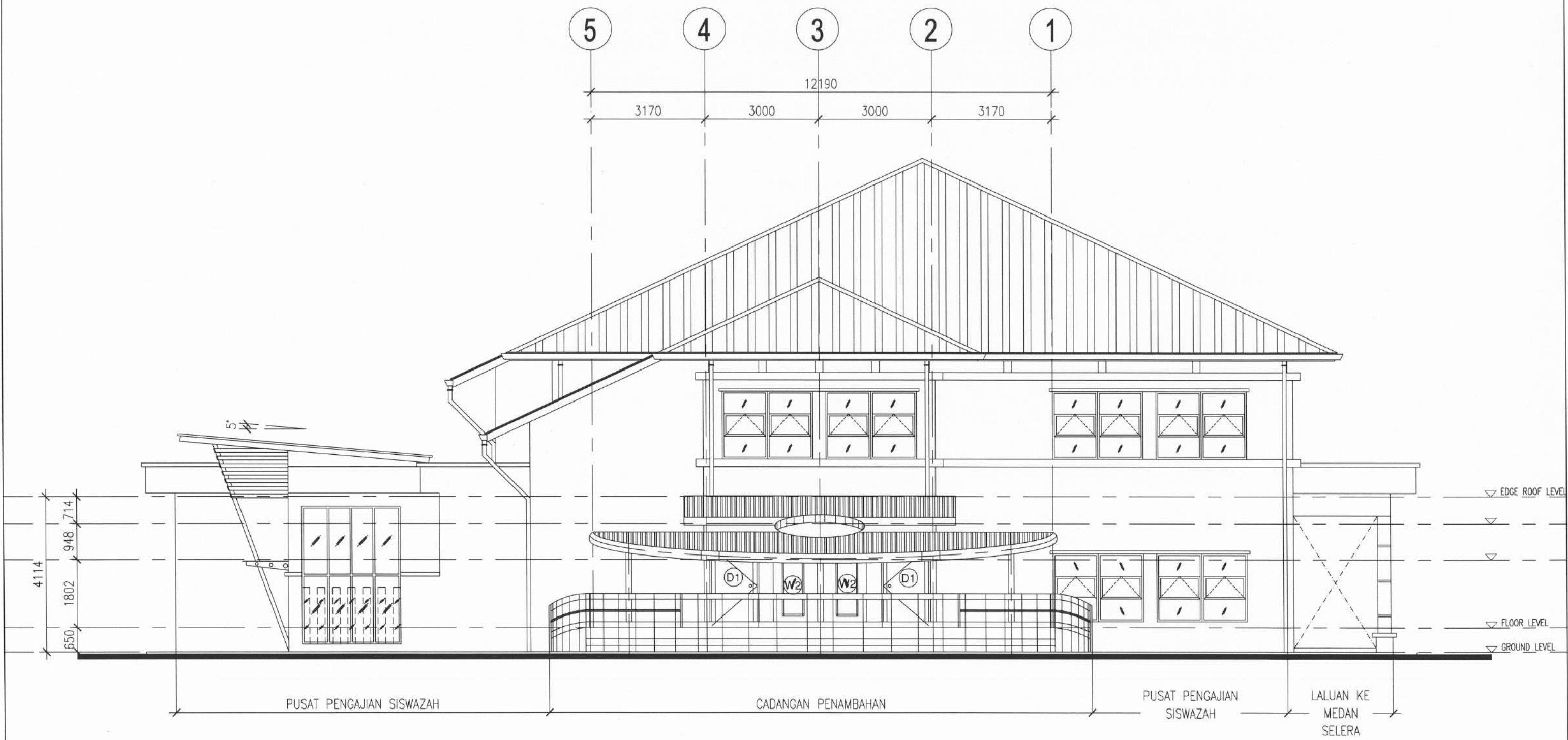
**TAJUK LUKISAN :**  
 BANGUNAN PUSAT PENGAJIAN SISWAZAH - P.P.S (PAKEJ D) - PELAN SUSUNATUR PERABOT

**SKALA LUKISAN :**  
 1 : 100

DI LUKIS : M.A.M.A  
 DI SEMAK : KETUA-KETUA UNIT JPPF,USIM  
 TARIKH : SEPTEMBER 2021  
 NO LUKISAN: USIM/SLC/PPS/04



**PENGARAH PEMBANGUNAN :**  
 .....  
 JABATAN PEMBANGUNAN DAN PENGURUSAN FASILITI  
 UNIVERSITI SAINS ISLAM MALAYSIA,  
 BANDAR BARU NILAI, 71800 NILAI,  
 NEGERI SEMBILAN DARUL KHUSUS



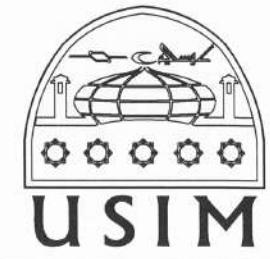
**LUKISAN SEBUTHARGA**

**TAJUK PROJEK :**  
 KERJA-KERJA PENGUBAHSUAIAN BANGUNAN SEDIADA  
 BAGI PENEMPATAN "LEARNING SPACE" DI UNIVERSITI  
 SAINS ISLAM MALAYSIA,  
 BANDAR BARU NILAI,  
 NEGERI SEMBILAN DARUL KHUSUS

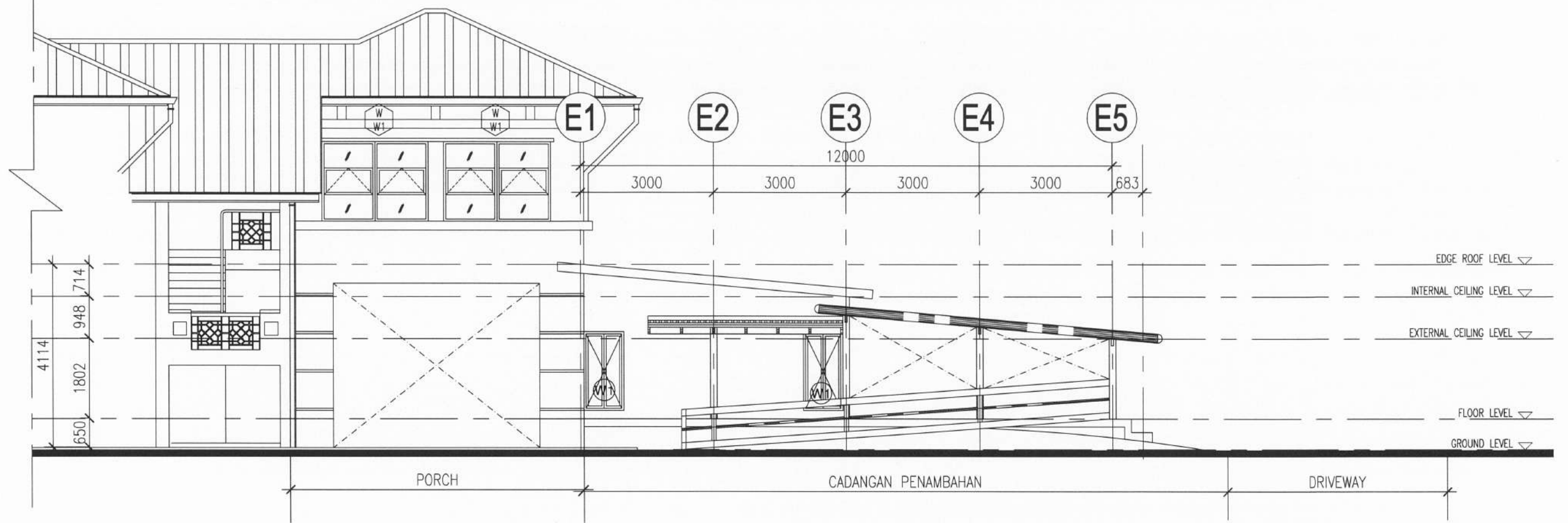
**TAJUK LUKISAN :**  
 BANGUNAN PUSAT PENGAJIAN SISWAZAH - P.P.S (PAKEJ D)  
 - PANDANGAN A

**SKALA LUKISAN :**  
 1 : 100

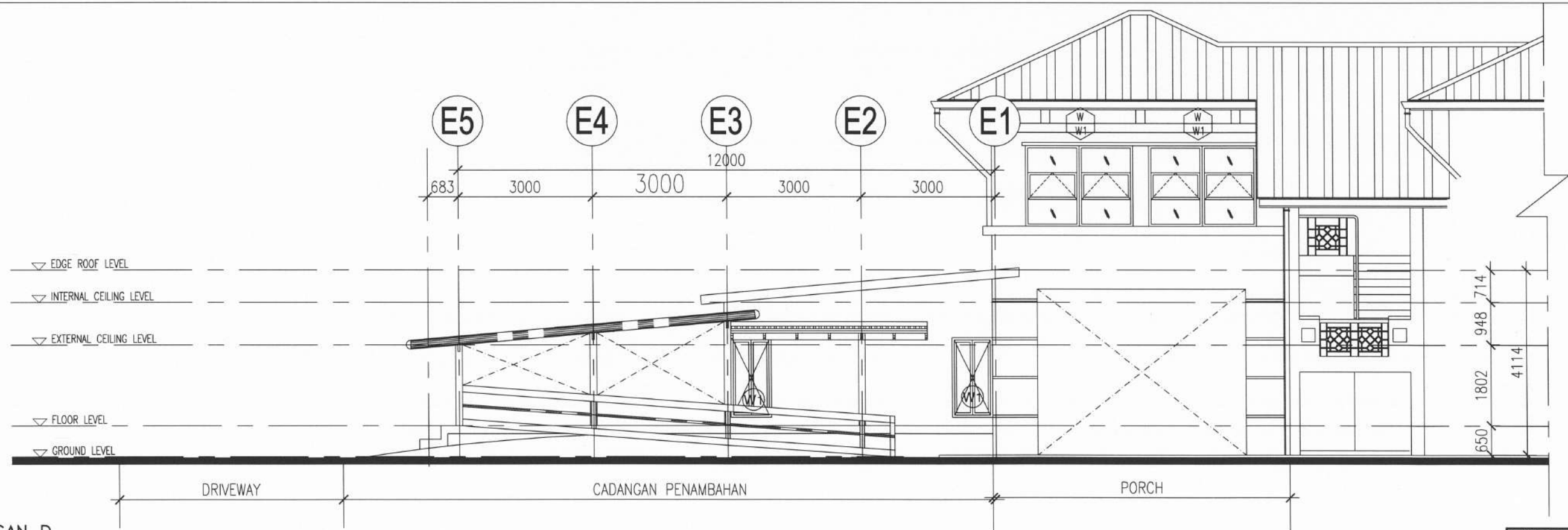
**DI LUKIS :** M.A.M.A  
**DI SEMAK :** KETUA-KETUA UNIT JPPF,USIM  
**TARIKH :** SEPTEMBER 2021  
**NO LUKISAN:** USIM/SLC/PPS/05



**PENGARAH PEMBANGUNAN :**  
 .....  
 JABATAN PEMBANGUNAN DAN PENGURUSAN FASILITI  
 UNIVERSITI SAINS ISLAM MALAYSIA,  
 BANDAR BARU NILAI, 71800 NILAI,  
 NEGERI SEMBILAN DARUL KHUSUS



PANDANGAN B



PANDANGAN D

**LUKISAN SEBUTHARGA**

**TAJUK PROJEK :**  
 KERJA-KERJA PENGUBAHSUAIAN BANGUNAN SEDIADA  
 BAGI PENEMPATAN "LEARNING SPACE" DI UNIVERSITI  
 SAINS ISLAM MALAYSIA,  
 BANDAR BARU NILAI,  
 NEGERI SEMBILAN DARUL KHUSUS

**TAJUK LUKISAN :**  
 BANGUNAN PUSAT PENGAJIAN SISWAZAH - P.P.S (PAKEJ D)  
 - PANDANGAN B  
 - PANDANGAN D

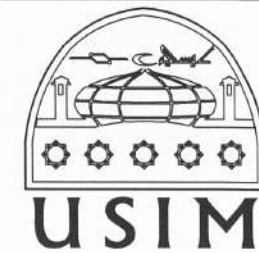
**SKALA LUKISAN :**  
 1 : 100

**DI LUKIS :** M.A.M.A

**DI SEMAK :** KETUA-KETUA UNIT JPPF,USIM

**TARIKH :** SEPTEMBER 2021

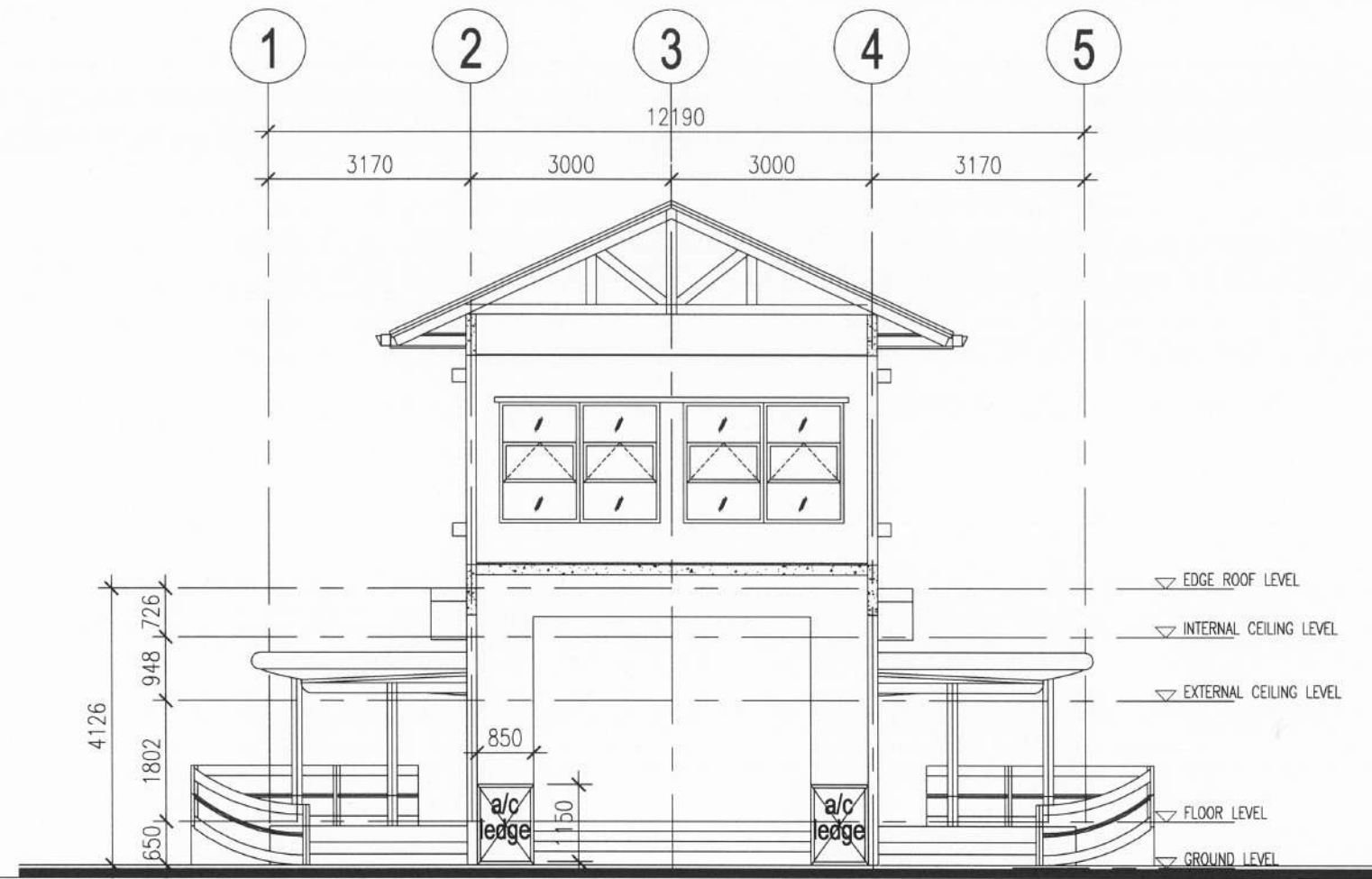
**NO LUKISAN:** USIM/SLC/PPS/06



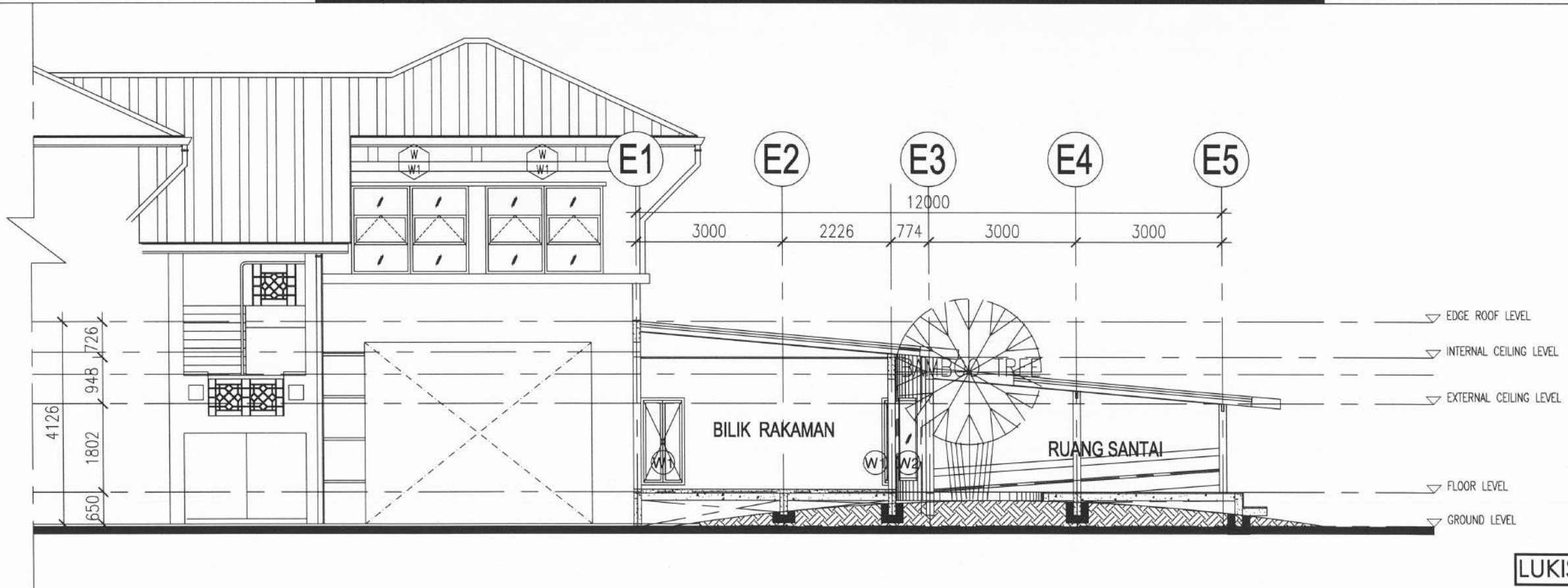
**PENGARAH PEMBANGUNAN :**

.....  
 JABATAN PEMBANGUNAN DAN PENGURUSAN FASILITI  
 UNIVERSITI SAINS ISLAM MALAYSIA,  
 BANDAR BARU NILAI, 71800 NILAI,  
 NEGERI SEMBILAN DARUL KHUSUS

PANDANGAN C



KERATAN X-X

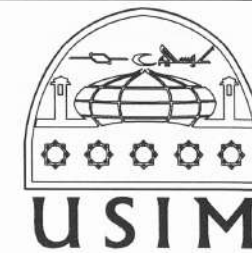


LUKISAN SEBUTHARGA

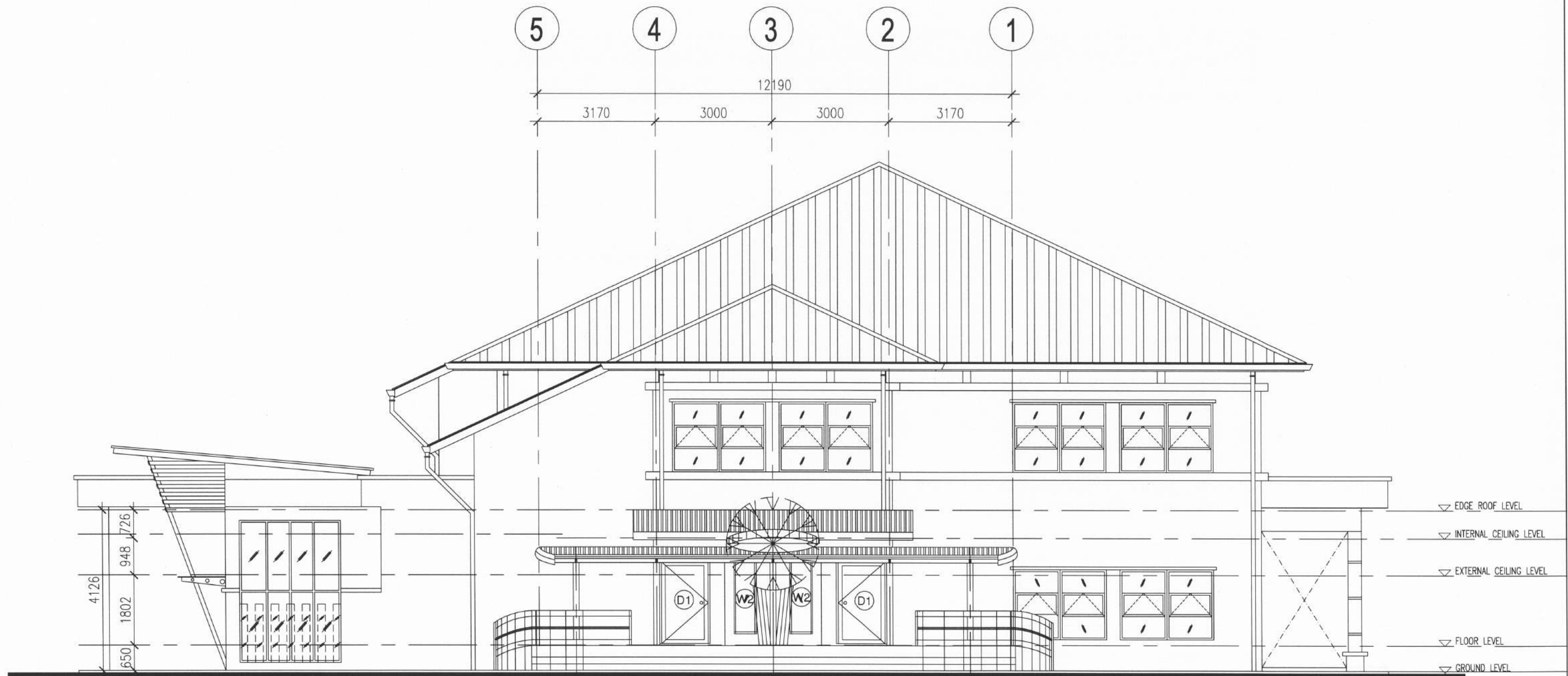
TAJUK PROJEK :  
KERJA-KERJA PENGUBAHSUAIAN BANGUNAN SEDIADA  
BAGI PENEMPATAN "LEARNING SPACE" DI UNIVERSITI  
SAINS ISLAM MALAYSIA,  
BANDAR BARU NILAI,  
NEGERI SEMBILAN DARUL KHUSUS

TAJUK LUKISAN :  
BANGUNAN PUSAT PENGAJIAN SISWAZAH - P.P.S (PAKEJ D)  
- PANDANGAN C  
- KERATAN X-X  
SKALA LUKISAN :  
1 : 100

DI LUKIS : M.A.M.A  
DI SEMAK : KETUA-KETUA UNIT JPPF,USIM  
TARIKH : SEPTEMBER 2021  
NO LUKISAN: USIM/SLC/PPS/07



PENGARAH PEMBANGUNAN :  
.....  
JABATAN PEMBANGUNAN DAN PENGURUSAN FASILITI  
UNIVERSITI SAINS ISLAM MALAYSIA,  
BANDAR BARU NILAI, 71800 NILAI,  
NEGERI SEMBILAN DARUL KHUSUS



**LUKISAN SEBUTHARGA**

**TAJUK PROJEK :**  
 KERJA-KERJA PENGUBAHSUAIAN BANGUNAN SEDIADA  
 BAGI PENEMPATAN "LEARNING SPACE" DI UNIVERSITI  
 SAINS ISLAM MALAYSIA,  
 BANDAR BARU NILAI,  
 NEGERI SEMBILAN DARUL KHUSUS

**TAJUK LUKISAN :**  
 BANGUNAN PUSAT PENGAJIAN SISWAZAH - P.P.S (PAKEJ D)  
 - KERATAN Y-Y

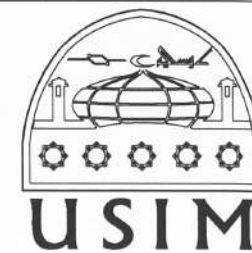
**SKALA LUKISAN :**  
 1 : 100

**DI LUKIS :** M.A.M.A

**DI SEMAK :** KETUA-KETUA UNIT JPPF,USIM

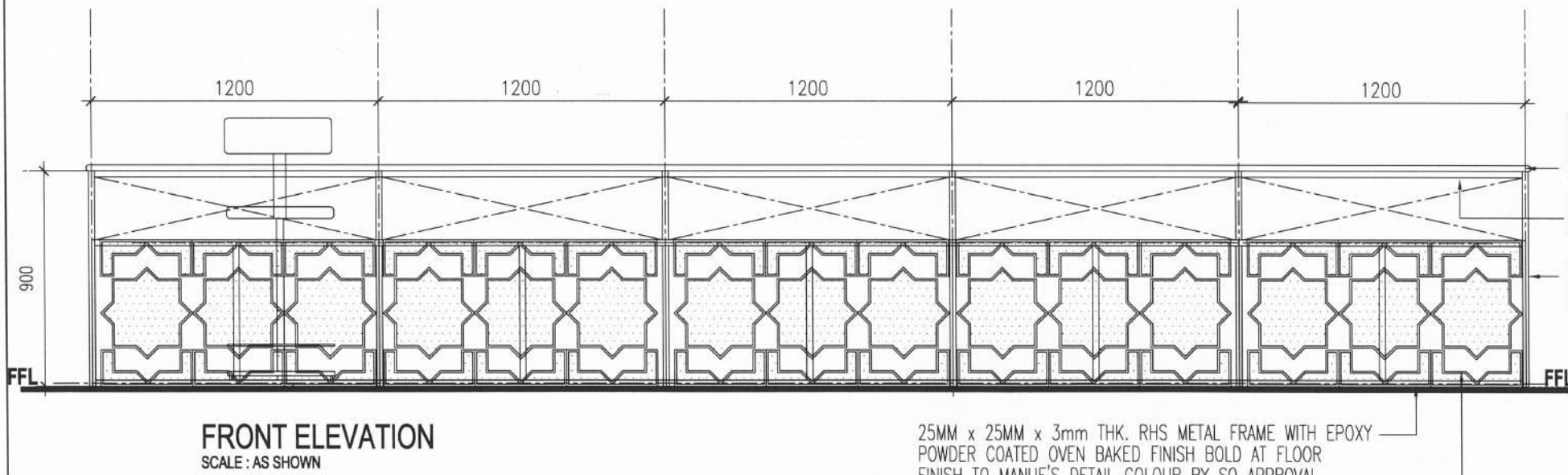
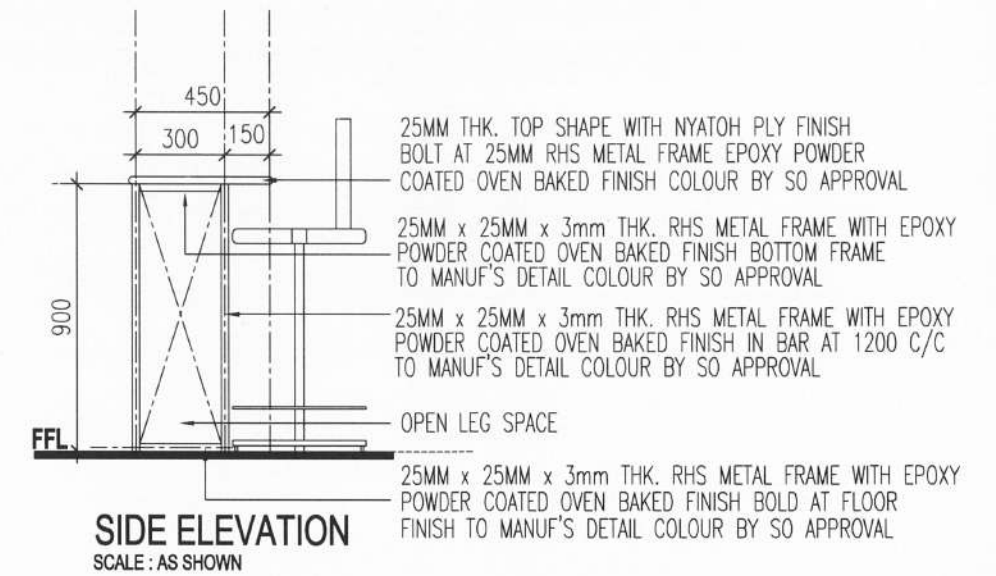
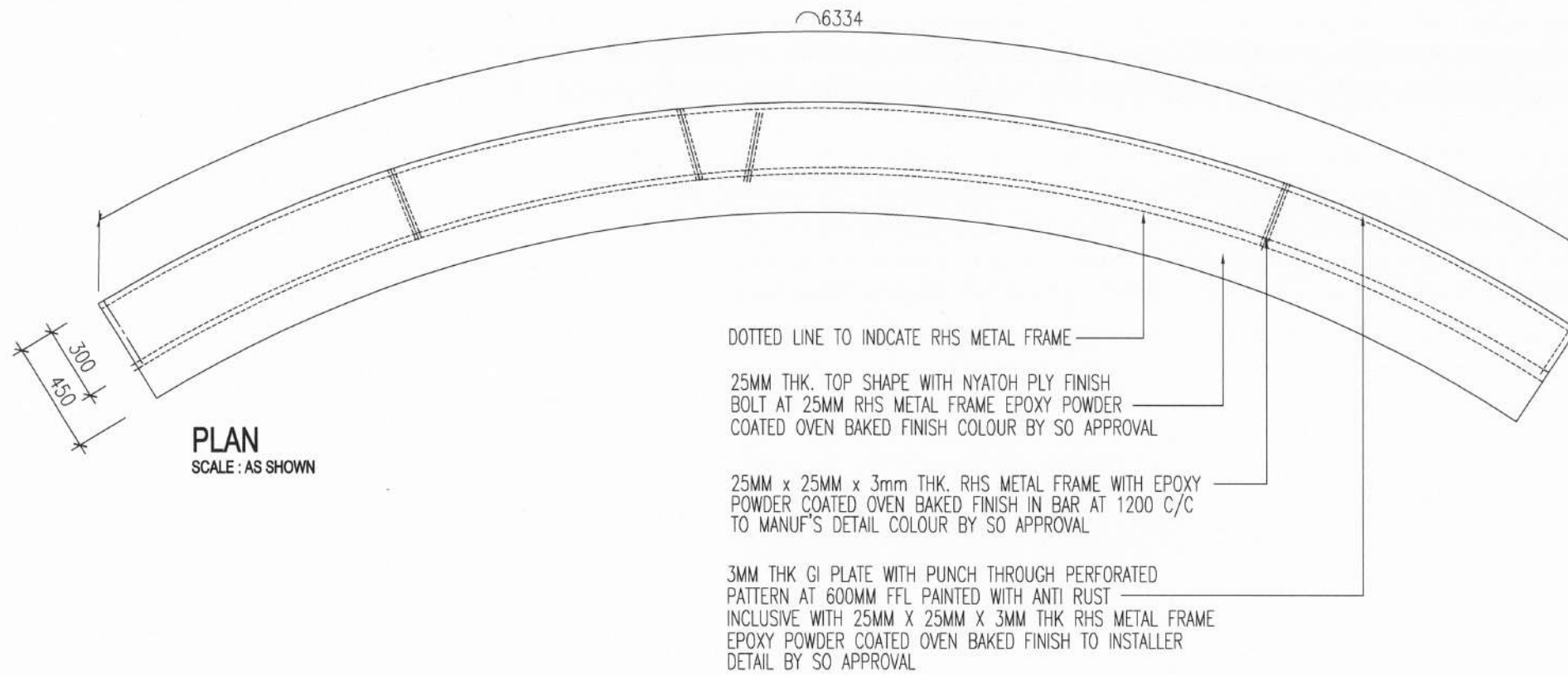
**TARIKH :** SEPTEMBER 2021

**NO LUKISAN:** USIM/SLC/PPS/08



**PENGARAH PEMBANGUNAN :**

.....  
 JABATAN PEMBANGUNAN DAN PENGURUSAN FASILITI  
 UNIVERSITI SAINS ISLAM MALAYSIA,  
 BANDAR BARU NILAI, 71800 NILAI,  
 NEGERI SEMBILAN DARUL KHUSUS



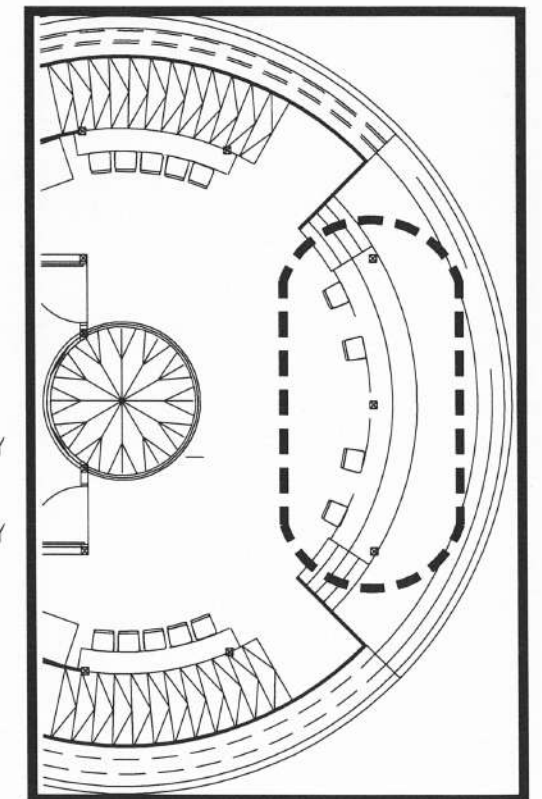
25MM x 25MM x 3mm THK. RHS METAL FRAME WITH EPOXY  
POWDER COATED OVEN BAKED FINISH BOLD AT FLOOR  
FINISH TO MANUF'S DETAIL COLOUR BY SO APPROVAL

3MM THK GI PLATE WITH PUNCH THROUGH PERFORATED  
PATTERN AT 600MM FFL PAINTED WITH ANTI RUST  
INCLUSIVE WITH 25MM X 25MM X 3MM THK RHS METAL FRAME  
EPOXY POWDER COATED OVEN BAKED FINISH TO INSTALLER  
DETAIL BY SO APPROVAL

25MM THK. TOP SHAPE WITH NYATOH PLY FINISH  
BOLT AT 25MM RHS METAL FRAME EPOXY POWDER  
COATED OVEN BAKED FINISH COLOUR BY SO APPROVAL

25MM x 25MM x 3mm THK. RHS METAL FRAME WITH EPOXY  
POWDER COATED OVEN BAKED FINISH BOTTOM FRAME  
TO MANUF'S DETAIL COLOUR BY SO APPROVAL

25MM x 25MM x 3mm THK. RHS METAL FRAME WITH EPOXY  
POWDER COATED OVEN BAKED FINISH IN BAR AT 1200 C/C  
TO MANUF'S DETAIL COLOUR BY SO APPROVAL



**LOCATION**

**LUKISAN SEBUTHARGA**

**TAJUK PROJEK :**  
KERJA-KERJA PENGUBAHSUAIAN BANGUNAN SEDIADA  
BAGI PENEMPATAN "LEARNING SPACE" DI UNIVERSITI  
SAINS ISLAM MALAYSIA,  
BANDAR BARU NILAI,  
NEGERI SEMBILAN DARUL KHUSUS

**TAJUK LUKISAN :**  
BANGUNAN PUSAT PENGAJIAN SISWAZAH - P.P.S (PAKEJ D)  
- LUKISAN TERPERINCI - MEJA BAR (BIB)

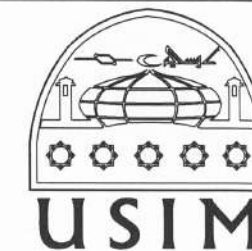
**SKALA LUKISAN :**  
1 : 25

**DI LUKIS :** M.A.M.A

**DI SEMAK :** KETUA-KETUA UNIT JPPF,USIM

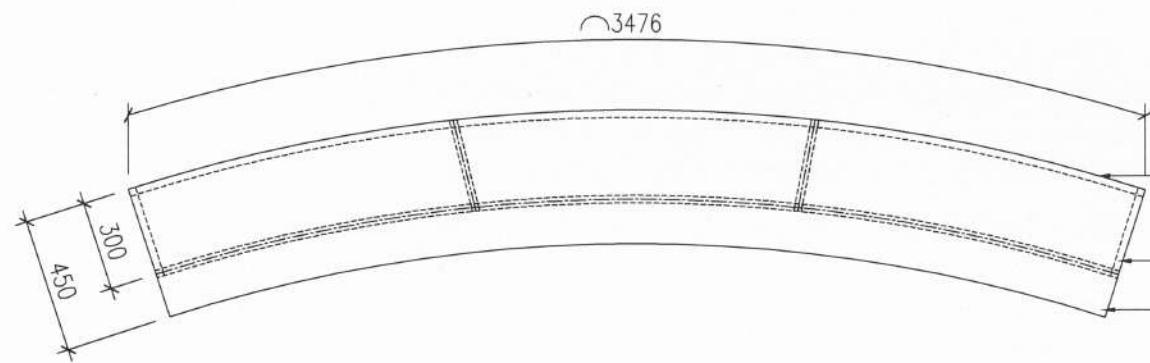
**TARIKH :** SEPTEMBER 2021

**NO LUKISAN:** USIM/SLC/PPS/09



**PENGARAH PEMBANGUNAN :**

JABATAN PEMBANGUNAN DAN PENGURUSAN FASILITI  
UNIVERSITI SAINS ISLAM MALAYSIA,  
BANDAR BARU NILAI, 71800 NILAI,  
NEGERI SEMBILAN DARUL KHUSUS

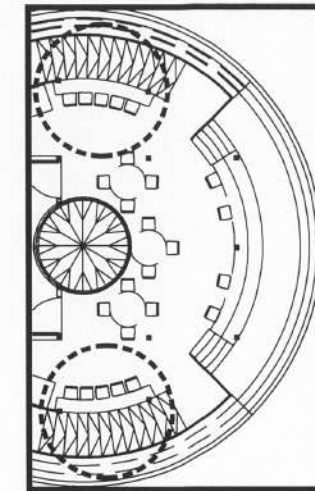


**PLAN**  
SCALE : AS SHOWN

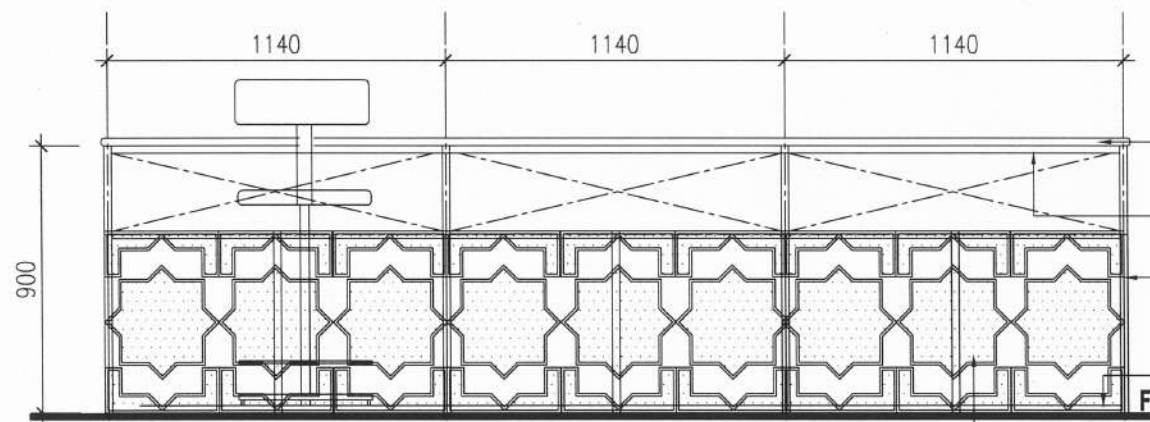
3MM THK GI PLATE WITH PUNCH THROUGH PERFORATED PATTERN AT 600MM FFL PAINTED WITH ANTI RUST INCLUSIVE WITH 25MM X 25MM X 3MM THK RHS METAL FRAME EPOXY POWDER COATED OVEN BAKED FINISH TO INSTALLER DETAIL BY SO APPROVAL

DOTTED LINE TO INDICATE RHS METAL FRAME

25MM THK. TOP SHAPE WITH NYATOH PLY FINISH BOLT AT 25MM RHS METAL FRAME EPOXY POWDER COATED OVEN BAKED FINISH COLOUR BY SO APPROVAL



**LOCATION**



**FRONT ELEVATION**  
SCALE : AS SHOWN

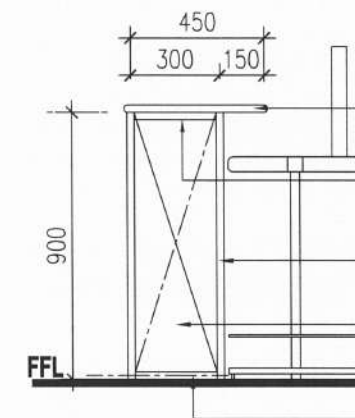
25MM THK. TOP SHAPE WITH NYATOH PLY FINISH BOLT AT 25MM RHS METAL FRAME EPOXY POWDER COATED OVEN BAKED FINISH COLOUR BY SO APPROVAL

25MM x 25MM x 3mm THK. RHS METAL FRAME WITH EPOXY POWDER COATED OVEN BAKED FINISH BOTTOM FRAME TO MANUF'S DETAIL COLOUR BY SO APPROVAL

25MM x 25MM x 3mm THK. RHS METAL FRAME WITH EPOXY POWDER COATED OVEN BAKED FINISH IN BAR AT C/C TO MANUF'S DETAIL COLOUR BY SO APPROVAL

25MM x 25MM x 3mm THK. RHS METAL FRAME WITH EPOXY POWDER COATED OVEN BAKED FINISH BOLD AT FLOOR FINISH TO MANUF'S DETAIL COLOUR BY SO APPROVAL

3MM THK GI PLATE WITH PUNCH THROUGH PERFORATED PATTERN AT 600MM FFL PAINTED WITH ANTI RUST INCLUSIVE WITH 25MM X 25MM X 3MM THK RHS METAL FRAME EPOXY POWDER COATED OVEN BAKED FINISH TO INSTALLER DETAIL BY SO APPROVAL



**SIDE ELEVATION**  
SCALE : AS SHOWN

25MM THK. TOP SHAPE WITH NYATOH PLY FINISH BOLT AT 25MM RHS METAL FRAME EPOXY POWDER COATED OVEN BAKED FINISH COLOUR BY SO APPROVAL

25MM x 25MM x 3mm THK. RHS METAL FRAME WITH EPOXY POWDER COATED OVEN BAKED FINISH BOTTOM FRAME TO MANUF'S DETAIL COLOUR BY SO APPROVAL

25MM x 25MM x 3mm THK. RHS METAL FRAME WITH EPOXY POWDER COATED OVEN BAKED FINISH IN BAR AT C/C TO MANUF'S DETAIL COLOUR BY SO APPROVAL

OPEN LEG SPACE

25MM x 25MM x 3mm THK. RHS METAL FRAME WITH EPOXY POWDER COATED OVEN BAKED FINISH BOLD AT FLOOR FINISH TO MANUF'S DETAIL COLOUR BY SO APPROVAL

**LUKISAN SEBUTHARGA**

**TAJUK PROJEK :**  
KERJA-KERJA PENGUBAHSUAIAN BANGUNAN SEDIADA BAGI PENEMPATAN "LEARNING SPACE" DI UNIVERSITI SAINS ISLAM MALAYSIA,  
BANDAR BARU NILAI,  
NEGERI SEMBILAN DARUL KHUSUS

**TAJUK LUKISAN :**  
BANGUNAN PUSAT PENGAJIAN SISWAZAH - P.P.S (PAKEJ D)  
- LUKISAN TERPERINCI - MEJA BAR (BIB)

**SKALA LUKISAN :**  
1 : 25

**DI LUKIS :** M.A.M.A

**DI SEMAK :** KETUA-KETUA UNIT JPPF,USIM

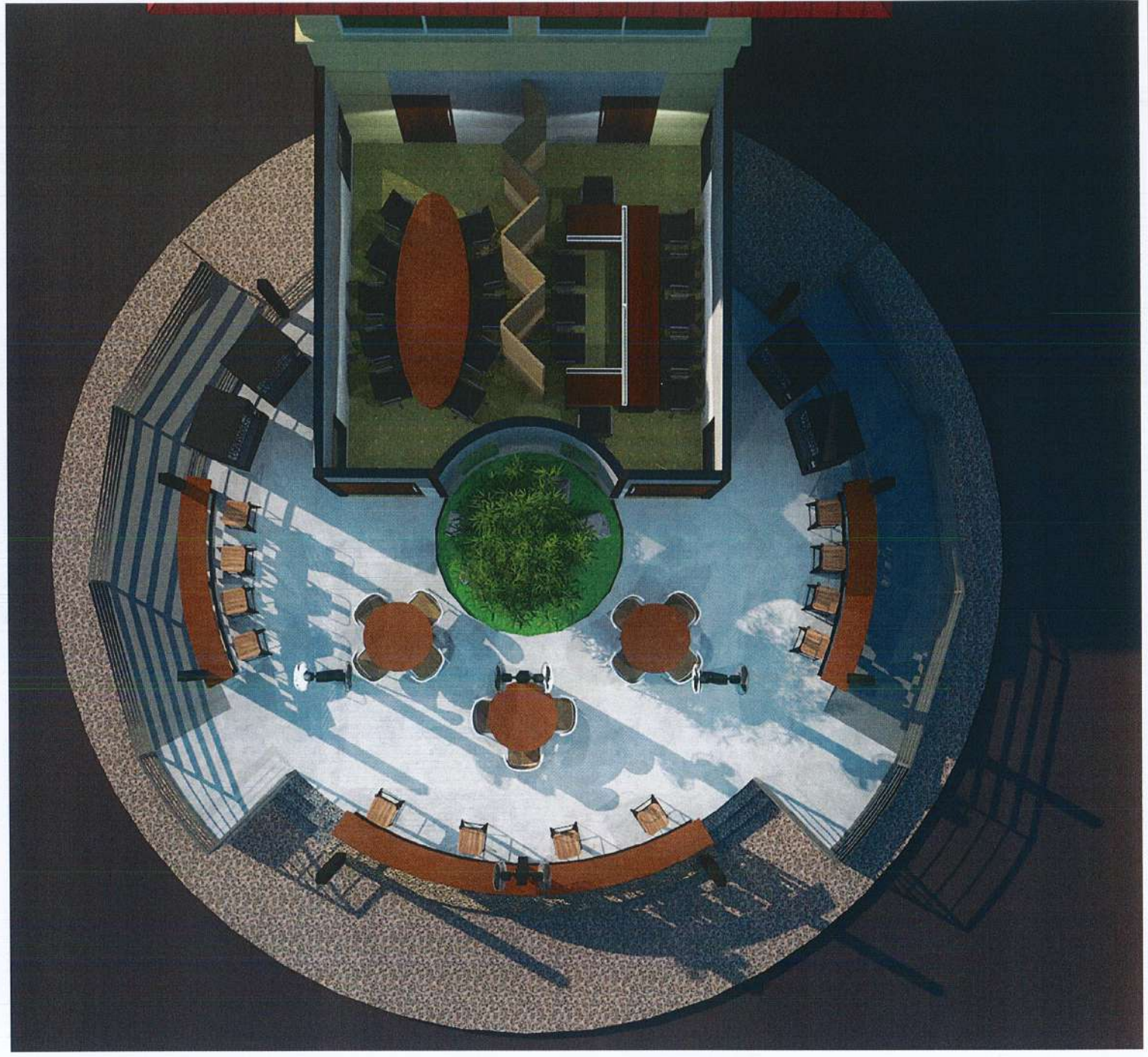
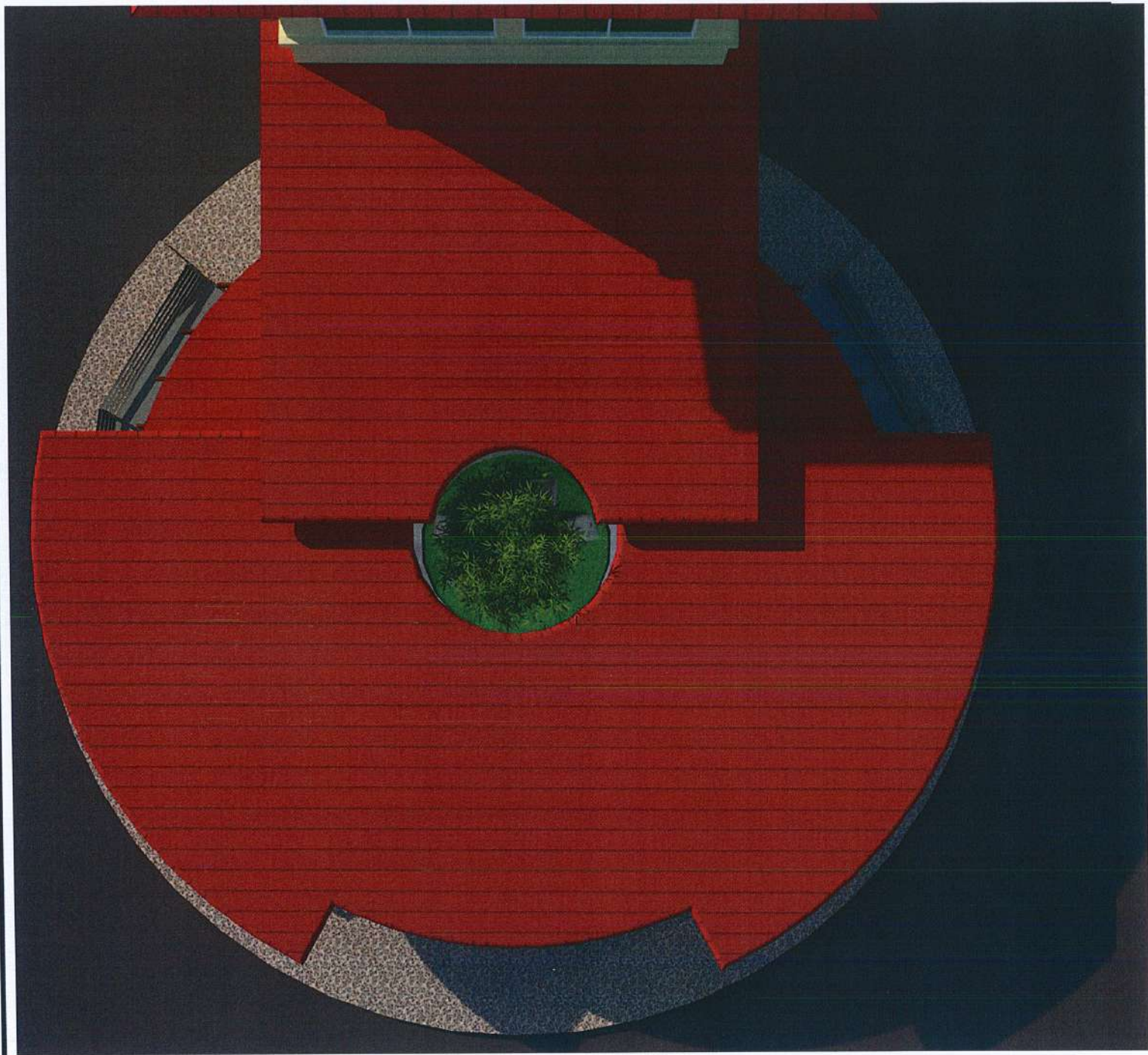
**TARIKH :** SEPTEMBER 2021

**NO LUKISAN:** USIM/SLC/PPS/10



**PENGARAH PEMBANGUNAN :**

.....  
JABATAN PEMBANGUNAN DAN PENGURUSAN FASILITI  
UNIVERSITI SAINS ISLAM MALAYSIA,  
BANDAR BARU NILAI, 71800 NILAI,  
NEGERI SEMBILAN DARUL KHUSUS



**LUKISAN SEBUTHARGA**

TAJUK PROJEK :  
KERJA-KERJA PENGUBAHSUAIAN BANGUNAN SEDIADA  
BAGI PENEMPATAN "LEARNING SPACE" DI UNIVERSITI  
SAINS ISLAM MALAYSIA,  
BANDAR BARU NILAI,  
NEGERI SEMBILAN DARUL KHUSUS

TAJUK LUKISAN :  
BANGUNAN PUSAT PENGAJIAN SISWAZAH - P.P.S (PAKEJ D)  
- 3D PERSPEKTIF

SKALA LUKISAN :  
N.T.S

DI LUKIS : M.A.M.A  
DI SEMAK : KETUA-KETUA UNIT JPPF,USIM  
TARIKH : SEPTEMBER 2021  
NO LUKISAN: USIM/SLC/PPS/11



PENGARAH PEMBANGUNAN :  
.....  
JABATAN PEMBANGUNAN DAN PENGURUSAN FASILITI  
UNIVERSITI SAINS ISLAM MALAYSIA,  
BANDAR BARU NILAI, 71800 NILAI,  
NEGERI SEMBILAN DARUL KHUSUS



**LUKISAN SEBUTHARGA**

**TAJUK PROJEK :**  
 KERJA-KERJA PENGUBAHSUAIAN BANGUNAN SEDIADA  
 BAGI PENEMPATAN "LEARNING SPACE" DI UNIVERSITI  
 SAINS ISLAM MALAYSIA,  
 BANDAR BARU NILAI,  
 NEGERI SEMBILAN DARUL KHUSUS

**TAJUK LUKISAN :**  
 BANGUNAN PUSAT PENGAJIAN SISWAZAH - P.P.S (PAKEJ D)  
 - 3D PERSPEKTIF

**SKALA LUKISAN :**  
 N.T.S

DI LUKIS : M.A.M.A

DI SEMAK : KETUA-KETUA UNIT JPPF,USIM

TARIKH : SEPTEMBER 2021

NO LUKISAN: USIM/SLC/PPS/11



PENGARAH PEMBANGUNAN :

.....  
 JABATAN PEMBANGUNAN DAN PENGURUSAN FASILIT  
 UNIVERSITI SAINS ISLAM MALAYSIA,  
 BANDAR BARU NILAI, 71800 NILAI,  
 NEGERI SEMBILAN DARUL KHUSUS